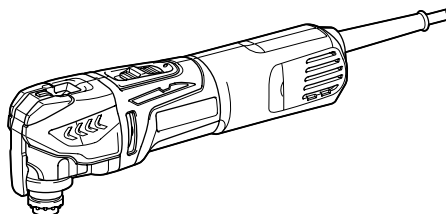
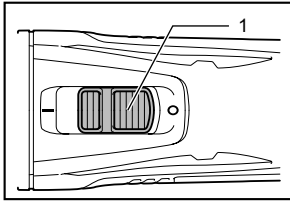




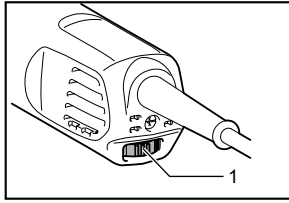
| | | |
|----|--------------------------|---------------------------|
| GB | Multi Tool | INSTRUCTION MANUAL |
| UA | Універсальний інструмент | ІНСТРУКЦІЯ З ЕКСПЛУАТАЦІЇ |
| PL | Narzędzie Wielofunkcyjne | INSTRUKCJA OBSŁUGI |
| RO | Mașină multifuncțională | MANUAL DE INSTRUCȚIUNI |
| DE | Multifunktions-Werkzeug | BEDIENUNGSANLEITUNG |
| HU | Többfunkciós szerszám | HASZNÁLATI KÉZIKÖNYV |
| SK | Univerzálny nástroj | NÁVOD NA OBSLUHU |
| CZ | Víceúčelové nářadí | NÁVOD K OBSLUZE |

TM3010C

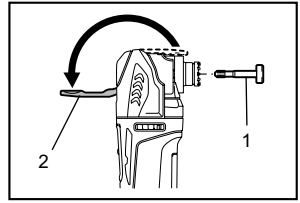




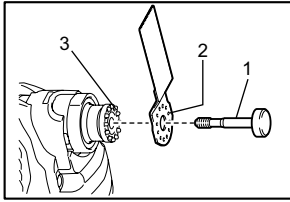
1 013899



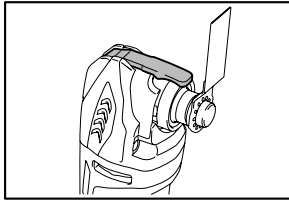
2 012852



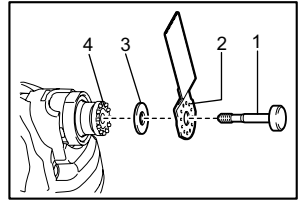
3 013898



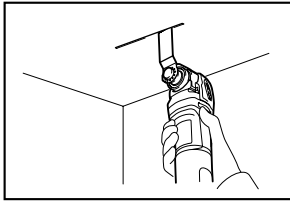
4 013853



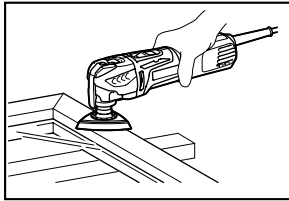
5 013854



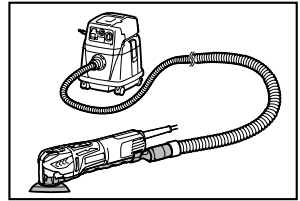
6 013855



7 013856



8 013857



9 013859

Explanation of general view

| | | |
|-------------------|-------------------------------------|-------------------------------------|
| 1-1. Slide switch | 4-1. Holder bolt | 6-2. Holes in the application tool |
| 2-1. Dial | 4-2. Holes in the application tool | 6-3. Adapter |
| 3-1. Holder bolt | 4-3. Protrusions of the tool flange | 6-4. Protrusions of the tool flange |
| 3-2. Lock lever | 6-1. Holder bolt | |

SPECIFICATIONS

| | | |
|-------------------------------|------------------------------------|-------------------------------------|
| Model | | TM3010C |
| Oscillation per minute | | 6,000 - 20,000 (min ⁻¹) |
| Oscillation angle, left/right | | 1.6 ° (3.2 ° total) |
| Overall length | | 283 mm |
| Net weight | without dust extraction attachment | 1.6 kg |
| | with dust extraction attachment | 1.7 kg |
| Safety class | | II/III |

- Due to our continuing program of research and development, the specifications herein are subject to change without notice.
- Specifications may differ from country to country.
- Weight according to EPTA-Procedure 01/2003

ENE080-1

ENG900-1

Intended use

The tool is intended for sawing and cutting wood, plastic, gypsum, non-ferrous metals, and fastening elements (e. g. unhardened nails and staples). It is also intended for working soft wall tiles, as well as dry sanding and scraping of small surfaces. It is especially for working close to edge and flush cutting.

ENG905-1

Noise

The typical A-weighted noise level determined according to EN60745:

Work mode: Sanding

Sound pressure level (L_{pA}) : 80 dB (A)
 Uncertainty (K) : 3 dB (A)

The noise level under working may exceed 80 dB (A).

Work mode: Cutting with plunge cut saw blade

Sound pressure level (L_{pA}) : 80 dB (A)
 Uncertainty (K) : 3 dB (A)

The noise level under working may exceed 80 dB (A).

Work mode: Cutting with segment saw blade

Sound pressure level (L_{pA}) : 79 dB (A)
 Uncertainty (K) : 3 dB (A)

The noise level under working may exceed 80 dB (A).

Work mode: Scraping

Sound pressure level (L_{pA}) : 82 dB (A)
 Uncertainty (K) : 3 dB (A)

The noise level under working may exceed 80 dB (A).

Wear ear protection

Vibration

The vibration total value (tri-axial vector sum) determined according to EN60745:

Work mode : sanding
 Vibration emission (a_h) : 2.5 m/s² or less
 Uncertainty (K) : 1.5 m/s²

Work mode : cutting with plunge cut saw blade
 Vibration emission (a_h) : 6.5 m/s²
 Uncertainty (K) : 1.5 m/s²

Work mode : cutting with segment saw blade
 Vibration emission (a_h) : 2.5 m/s²
 Uncertainty (K) : 1.5 m/s²

Work mode : scraping
 Vibration emission (a_h) : 5.0 m/s²
 Uncertainty (K) : 1.5 m/s²

ENG901-1

- The declared vibration emission value has been measured in accordance with the standard test method and may be used for comparing one tool with another.
- The declared vibration emission value may also be used in a preliminary assessment of exposure.

⚠WARNING:

- The vibration emission during actual use of the power tool can differ from the declared emission value depending on the ways in which the tool is used.
- Be sure to identify safety measures to protect the operator that are based on an estimation of exposure in the actual conditions of use (taking account of all parts of the operating cycle such as

the times when the tool is switched off and when it is running idle in addition to the trigger time).

ENH101-17

For European countries only

EC Declaration of Conformity

Makita declares that the following Machine(s):

Designation of Machine:

Multi Tool

Model No./ Type: TM3010C

Conforms to the following European Directives:

2006/42/EC

They are manufactured in accordance with the following Standard or standardized documents:

EN60745

The Technical file in accordance with 2006/42/EC is available from:

Makita, Jan-Baptist Vinkstraat 2, 3070, Belgium

31.12.2013



000331

Yasushi Fukaya

Director

Makita, Jan-Baptist Vinkstraat 2, 3070, Belgium

GEA010-1

General Power Tool Safety

Warnings

⚠ WARNING Read all safety warnings and all instructions. Failure to follow the warnings and instructions may result in electric shock, fire and/or serious injury.

Save all warnings and instructions for future reference.

GEB096-3

MULTI TOOL SAFETY WARNINGS

1. This power tool is intended to function for sawing, cutting, grinding and sanding. Read all safety warnings, instructions, illustrations and specifications provided with this power tool. Failure to follow all instructions listed below may result in electric shock, fire and/or serious injury.
2. Hold power tool by insulated gripping surfaces, when performing an operation where the cutting accessory may contact hidden wiring or its own cord. Cutting accessory contacting a "live" wire may make exposed metal parts of the power tool "live" and could give the operator an electric shock.
3. Use clamps or another practical way to secure and support the workpiece to a stable platform. Holding the work by hand or against your body leaves it unstable and may lead to loss of control.
4. Position the cord clear of the spinning accessory. If you lose control, the cord may be cut or snagged and your hand or arm may be pulled into the spinning accessory.
5. Always use safety glasses or goggles. Ordinary eye or sun glasses are NOT safety glasses.
6. Avoid cutting nails. Inspect workpiece for any nails and remove them before operation.
7. Hold the tool firmly.
8. Make sure the application tool is not contacting the workpiece before the switch is turned on.
9. Keep hands away from moving parts.
10. Do not leave the tool running. Operate the tool only when hand-held.
11. Always switch off and wait for the blade to come to a complete stop before removing the blade from the workpiece.
12. Do not touch the application tool or the workpiece immediately after operation; they may be extremely hot and could burn your skin.
13. Do not operate the tool at no-load unnecessarily.
14. Always use the correct dust mask/respirator for the material and application you are working with.
15. Some material contains chemicals which may be toxic. Take caution to prevent dust inhalation and skin contact. Follow material supplier safety data.
16. This tool has not been waterproofed, so do not use water on the workpiece surface.
17. Ventilate your work area adequately when you perform sanding operations.
18. Use of this tool to sand some products, e.g. leaded paint surfaces, wood and metals could expose user and bystanders to dust containing hazardous substances. Use appropriate respiratory protection.
19. Be sure that there are no cracks or breakage on the pad before use. Cracks or breakage may cause a personal injury.
20. Do not use accessories which are not specifically designed and recommended by the tool manufacturer. Just because the accessory can be attached to your power tool, it does not assure safe operation.
21. Wear personal protective equipment. Depending on application, use face shield, safety goggles or safety glasses. As appropriate, wear hearing protectors, gloves

and workshop apron capable of stopping small abrasive or workpiece fragments. The eye protection must be capable of stopping flying debris generated by various operations. The dust mask or respirator must be capable of filtering particles generated by your operation. Prolonged exposure to high intensity noise may cause hearing loss.

22. **Keep bystanders a safe distance away from work area. Anyone entering the work area must wear personal protective equipment.** Fragments of workpiece or of a broken accessory may fly away and cause injury beyond immediate area of operation.
23. **Never lay the power tool down until the accessory has come to a complete stop.** The spinning accessory may grab the surface and pull the power tool out of your control.
24. **Do not run the power tool while carrying it at your side.** Accidental contact with the accessory could snag your clothing, pulling the accessory into your body.
25. **Do not operate the power tool near flammable materials.** Sparks could ignite these materials.
26. **Do not use accessories that require liquid coolants.** Using water or other liquid coolants may result in electrocution or shock.
27. **Always be sure that the tool is switched off and unplugged before carrying out any work on the tool.**
28. **If working place is extremely hot and humid, or badly polluted by conductive dust, use a short-circuit breaker (30 mA) to assure operator safety.**
29. **Always be sure you have a firm footing. Be sure no one is below when using the tool in high locations.**

SAVE THESE INSTRUCTIONS.

⚠WARNING:

DO NOT let comfort or familiarity with product (gained from repeated use) replace strict adherence to safety rules for the subject product. MISUSE or failure to follow the safety rules stated in this instruction manual may cause serious personal injury.

FUNCTIONAL DESCRIPTION

⚠WARNING:

- **Always be sure that the tool is switched off and unplugged before adjusting or checking function on the tool.** Failure to switch off and unplug the tool may result in serious personal injury from accidental start-up.

Switch action

Fig.1

⚠CAUTION:

- Before plugging in the tool, always check to see that the tool is switched off.

To start the tool, slide the slide switch toward the "I (ON)" position.

To stop the tool, slide the slide switch toward the "O (OFF)" position.

Adjusting the orbital stroke rate

Fig.2

The orbital stroke rate is adjustable. To change the orbital stroke rate, turn the dial between 1 and 5. The higher the number is, the higher the orbital stroke rate is. Preset the dial to the number suitable for your workpiece.

NOTE:

- The dial cannot be turned directly from 1 to 5 or from 5 to 1. Forcing the dial may damage the tool. When changing the dial direction, always turn the dial moving it through each intermediate number.

Constant speed control

Electronic speed control for obtaining constant speed. Possible to get fine finish, because the orbital stroke rate is kept constant even under load condition.

ASSEMBLY

⚠CAUTION:

- Always be sure that the tool is switched off and unplugged before carrying out any work on the tool.

Installing or removing application tool (optional accessory)

⚠WARNING:

- Do not install application tool upside down. Installing application tool upside down may damage the tool and cause serious personal injury.
- Install attachment tool in the correct direction according to your work. Application tool can be installed at an angle of every 30 degree.

⚠CAUTION:

- Be careful when closing the lock lever. The lock lever may close suddenly and pinch your finger.

- Clean up dust and perform lubrication on the moving part of the lock lever from time to time. Otherwise dust may accumulate in the moving part of the lock lever and hinder its smooth movement.
- Do not start the tool while the lever opens. The tool may be damaged.

Fig.3

1. Open the lock lever fully. And remove the holder bolt.

Fig.4

2. Put an application tool (optional accessory) on the tool flange so that the protrusions of the tool flange fit in the holes in the application tool.

Fig.5

3. Insert the holder bolt till it stops. And then, return the lock lever to its original position.

When using sanding application tool, mount the application tool on the sanding pad so that it matches the sanding pad direction.

The sanding pad has a hook and loop type fitting system which allows easy and rapid fitting of a sanding paper.

As sanding papers have holes for dust extraction, mount a sanding paper so that the holes in a sanding paper match those in the sanding pad.

To remove a sanding paper, raise its end and peel it off.

To remove the holder bolt, follow the installation procedures in reverse.

Fig.6

When using application tools with a different type of installation section, use a correct adapter (optional accessory).

OPERATION

⚠WARNING:

- Before starting the tool and during operation, keep your hand and face away from the application tool.

⚠CAUTION:

- Always hold the tool firmly with one hand on housing. Do not touch the metal part.
- Do not apply excessive load to the tool which may cause a motor lock and stop the tool.

Cutting, sawing and scraping

⚠CAUTION:

- Do not move on the tool forcibly in the direction (e.g. towards either side) of tool application with no cutting edge. It may damage the tool.

Fig.7

Put the application tool on the workpiece. And then move the tool forward so that the application tool movement does not slow down.

NOTE:

- Forcing or excessive pressure on the tool may reduce efficiency.
- Remove sawdust by drawing tool adequately. It increases work efficiency.
- Before cutting operation, it is recommended to preset the orbital stroke rate 3 - 5.
- The round saw is recommended for cutting long straight line.

Sanding

⚠CAUTION:

- Do not reuse a sanding paper used for sanding metal to sand wood.
- Do not use a worn sanding paper or sanding paper without grit.

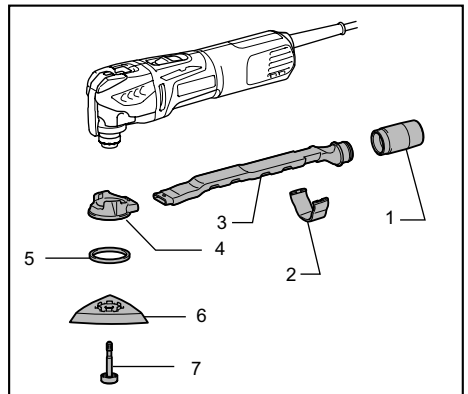
Fig.8

Apply a sanding paper on the workpiece.

NOTE:

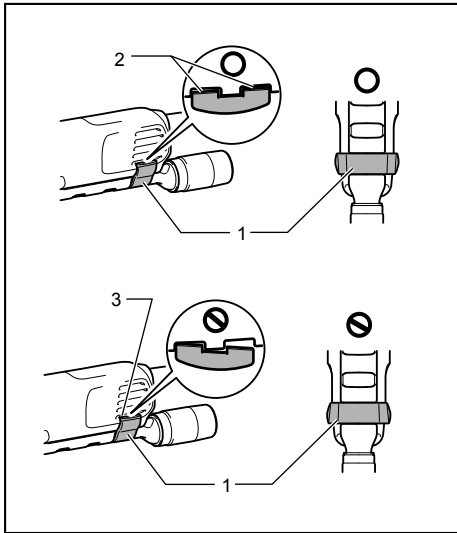
- Using a test material sample to try is recommendable to determine a correct orbital stroke rate suitable for your work.
- Use a sanding paper with the same grit until sanding the whole workpiece is completed. Replacing a sanding paper with different grit sanding paper may not get a fine finish.

Dust extraction attachment (optional accessory)



1. Joint
2. Nozzle band
3. Dust nozzle
4. Dust attachment
5. Felt ring
6. Pad
7. Holder bolt

013858



1. Nozzle band
2. Protrusions
3. Holes

013052

- Install joint, dust nozzle and dust attachment.
- Install the nozzle band on the tool so that its protrusions fit in the holes in the tool to secure it.
- Put the felt ring and the sanding pad on the dust attachment and then secure them with the application tool installation bolt.

Fig.9

When you wish to perform cleaner operation, connect a vacuum cleaner to your tool. Connect a hose of vacuum cleaner to the dust extraction attachment (optional accessory).

MAINTENANCE

⚠CAUTION:

- Always be sure that the tool is switched off and unplugged before attempting to perform inspection or maintenance.
- Never use gasoline, benzine, thinner, alcohol or the like. Discoloration, deformation or cracks may result.

To maintain product SAFETY and RELIABILITY, repairs, carbon brush inspection and replacement, any other maintenance or adjustment should be performed by Makita Authorized Service Centers, always using Makita replacement parts.

OPTIONAL ACCESSORIES

⚠CAUTION:

- These accessories or attachments are recommended for use with your Makita tool specified in this manual. The use of any other accessories or attachments might present a risk of injury to persons. Only use accessory or attachment for its stated purpose.

If you need any assistance for more details regarding these accessories, ask your local Makita Service Center.

- Segment saw blade
- Round saw blade
- Plunge cut saw blade
- Scraper (rigid)
- Scraper (flexible)
- Serrated seg blade
- General joint cutter
- HM remover
- HM seg saw blade
- HM sanding plate
- Diamond seg sawblade
- Sanding pad
- Adapter
- Abrasive paper delta (red / white / black)
- Fleece delta (medium / coarse / without grit)
- Polishing felt delta
- Hex wrench
- Dust extraction attachment

NOTE:

- Some items in the list may be included in the tool package as standard accessories. They may differ from country to country.

УКРАЇНЬСЬКА (Оригінальні інструкції)

Пояснення до загального виду

| | | |
|----------------------------|------------------------------------|------------------------------------|
| 1-1. Поззунковий перемикач | 4-1. Утримувальний болт | 6-2. Отвори в насадці |
| 2-1. Диск | 4-2. Отвори в насадці | 6-3. Адаптер |
| 3-1. Утримувальний болт | 4-3. Виступи на фланці інструмента | 6-4. Виступи на фланці інструмента |
| 3-2. Стопорний важіль | 6-1. Утримувальний болт | |

ТЕХНІЧНІ ХАРАКТЕРИСТИКИ

| | | |
|-----------------------------|-------------------------------|----------------------------------|
| Модель | | TM3010C |
| Коливань на хвилину | | 6000 - 20000 (хв ⁻¹) |
| Кут коливання, вліво/вправо | | 1,6 ° (3,2 ° усього) |
| Загальна довжина | | 283 мм |
| Чиста вага | без насадки для пиловидалення | 1,6 кг |
| | з насадкою для пиловидалення | 1,7 кг |
| Клас безпеки | | II/II |

• Через те, що ми не припиняємо програми досліджень і розвитку, наведені тут технічні характеристики можуть бути змінені без попередження.

• У різних країнах технічні характеристики можуть бути різними.

• Вага відповідно до EPTA-Procedure 01/2003

ENE080-1

Режим роботи: зачищення

Використання за призначенням

Цей інструмент призначений для розпилювання і різання деревини, пластика, гіпсу, кольорових металів та кріпильних елементів (наприклад, незагартованих цвяхів і скоб). Він також призначений для обробки м'якої настінної плитки, а також сухого шліфування і зачищення невеликих поверхонь. Він особливо добре підходить для роботи поблизу країв і різання урівень.

ENG905-1

Рівень звукового тиску (L_{pA}): 82 дБ (A)

Похибка (K): 3 дБ (A)

Рівень шуму під час роботи може перевищувати 80 дБ (A).

Користуйтеся засобами захисту слуху

ENG900-1

Вібрація

Загальна величина вібрації (сума трьох векторів) визначена згідно з EN60745:

Режим роботи: шліфування наждаковим папером

Вібрація (a_h): 2,5 м/с² або менше

Похибка (K): 1,5 м/с²

Режим роботи: різання ріжучим полотном врізної пили

Вібрація (a_h): 6,5 м/с²

Похибка (K): 1,5 м/с²

Режим роботи: різання ріжучим полотном сегментної пили

Вібрація (a_h): 2,5 м/с²

Похибка (K): 1,5 м/с²

Режим роботи: зачищення

Вібрація (a_h): 5,0 м/с²

Похибка (K): 1,5 м/с²

Шум

Рівень шуму за шкалою A у типовому виконанні, визначений відповідно до EN60745:

Режим роботи: шліфування

Рівень звукового тиску (L_{pA}): 80 дБ (A)

Похибка (K): 3 дБ (A)

Рівень шуму під час роботи може перевищувати 80 дБ (A).

Режим роботи: різання ріжучим полотном врізної пили

Рівень звукового тиску (L_{pA}): 80 дБ (A)

Похибка (K): 3 дБ (A)

Рівень шуму під час роботи може перевищувати 80 дБ (A).

Режим роботи: різання ріжучим полотном сегментної пили

Рівень звукового тиску (L_{pA}): 79 дБ (A)

Похибка (K): 3 дБ (A)

Рівень шуму під час роботи може перевищувати 80 дБ (A).

- Заявлене значення вібрації було виміряно у відповідності до стандартних методів тестування та може використовуватися для порівняння одного інструмента з іншим.
- Заявлене значення вібрації може також використовуватися для попередньої оцінки впливу.

⚠УВАГА:

- Залежно від умов використання вібрація під час фактичної роботи інструмента може відрізнятись від заявленого значення вібрації.
- Забезпечте належні запобіжні заходи для захисту оператора, що відповідатимуть умовам використання інструмента (слід брати до уваги всі складові робочого циклу, такі як час, коли інструмент вимкнено та коли він починає працювати на холостому ході під час запуску).

ENH101-17

Тільки для країн Європи

Декларація про відповідність стандартам ЄС

Компанія Makita наголошує на тому, що обладнання:

Позначення обладнання:
Універсальний інструмент
№ моделі/тип: TM3010C

Відповідає таким Європейським Директивам:
2006/42/EC

Обладнання виготовлене відповідно до таких стандартів або стандартизованих документів:
EN60745

Технічну інформацію відповідно до 2006/42/EC можна отримати:

Makita, Jan-Baptist Vinkstraat 2, 3070, Бельгія

31.12.2013



000331

Ясуші Фукайя
Директор

Makita, Jan-Baptist Vinkstraat 2, 3070, Бельгія

Застереження стосовно техніки безпеки при роботі з електроприладами

⚠ **УВАГА!** Прочитайте усі застереження стосовно техніки безпеки та всі інструкції. Недотримання даних застережень та інструкцій може призвести до ураження струмом та виникнення пожежі та/або серйозних травм.

Збережіть усі інструкції з техніки безпеки та експлуатації на майбутнє.

GEB096-3

ПОПЕРЕДЖЕННЯ ПРО НЕОБХІДНУ ОБЕРЕЖНІСТЬ ПІД ЧАС РОБОТИ З УНІВЕРСАЛЬНИМ ІНСТРУМЕНТОМ

1. Цей електроінструмент призначений для розпилювання, відрізання і шліфування. Уважно ознайомтеся з усіма попередженнями про небезпеку, інструкціями, ілюстраціями та технічними характеристиками цього електроінструмента. Невиконання цих інструкцій може призвести до ураження електричним струмом, пожежі та/або до серйозних травм.
2. Тримайте електроприлад за ізольовані поверхні держака під час виконання дії, за якої він може зачепити сховану електропроводку або власний шнур. Торкання ріжучим приладом струмоведучої проводки може призвести до передання напруги до оголених металевих частин інструмента та ураженню оператора електричним струмом.
3. За допомогою лещат або інших затискових пристроїв слід надійно закріпити деталь на стійкій платформі. Утримання деталі руками або тілом не фіксує деталі та може призвести до втрати контролю.
4. Шнур слід розміщувати без змуючого пристрою. Якщо ви втратите контроль, шнур може бути перерізаним або пошкодженим а ваша рука може потрапити до змуючого пристрою.
5. Слід завжди одягати захисні окуляри або лінзи. Звичайні окуляри або темні окуляри для захисту від сонця НЕ Є захисними окулярами.
6. Слід уникати різання цвяхів. Перед початком роботи огляньте та заберіть усі цвяхи з деталі.

7. Міцно тримайте інструмент.
8. **Перед увімкненням інструмента переконайтеся, що насаддка не торкається робочої деталі.**
9. Тримайте руки на відстані від рухомих частин.
10. Не залишайте інструмент працюючим. Працюйте з інструментом тільки тоді, коли тримаєте його в руках.
11. Обов'язково після вимкнення інструменту заждіть доки повотно не зупиниться повністю, та лише тоді знімайте його з деталі.
12. Не торкайтеся насаддки або деталі одразу після роботи, вони можуть бути дуже гарячими, що призведе до опіку шкіри.
13. Не слід дуже довго залишати інструмент працювати на холостому ході.
14. Завжди використовуйте пилозахисну маску/респіратор що відповідають області застосування та матеріалу, що ви обробляєте.
15. Деякі матеріали мають у своєму складі токсичні хімічні речовини. Будьте уважні, щоб запобігти вдихання пилу та контактів зі шкірою. Дотримуйтеся правил техніки безпеки виробника матеріалу .
16. Цей інструмент не має гідроізоляції, тому не слід додавати води на поверхню деталі.
17. Під час шліфування обов'язково провітрюйте приміщення.
18. Під час шліфування цим інструментом деяких виробів, наприклад, деревини, металу та поверхонь, вкритих фарбами із вмістом свинцю, оператор та сторонні особи можуть піддаватися впливу пилу, що містить небезпечні речовини. Слід користуватися відповідними засобами захисту дихальних шляхів.
19. Перед початком роботи перевірте, щоб підкладка не була тріснутою або пошкодженою. Тріщини або полонка можуть призвести до поранення.
20. Не слід використовувати допоміжні приналежності, які спеціально не призначені та не рекомендовані для цього інструменту виробником. Навіть якщо вони добре приєднуються до інструменту, це не гарантує безпечної експлуатації.
21. Слід надягати засоби індивідуального захисту. Відповідно до області застосування необхідно користуватися захисним щитком або захисними окулярами. За необхідності слід надягати засоби захисту органів слуху, рукавиці та фартух, які здатні затримувати дрібні частки деталі та абразивного матеріалу. Засоби захисту органів зору повинні бути здатними затримувати сміття, що утворюється під час виконання різних операцій. Пилозахисна маска або респіратор мають фільтрувати часточки, що утворюються під час роботи. Тривалий вплив сильного шуму може призвести до втрати слуху.
22. **Сторонні особи повинні знаходитися на небезпечному відстані від місця роботи. Кожний, хто приходить в робочу зону повинен одягати засоби індивідуального захисту.** Частки деталі або уламки приладдя може відлетіти за межі безпосередньої зони роботи та поранити.
23. Не слід класти інструмент доки прилад повністю не зупиниться. Змотуючий пристрій може захопити шнур та вирвати його з-під контролю.
24. Не слід запускати електроінструмент, тримаючи його збоку від себе. У разі випадкового контакту приладдя може захопити Ваш одяг, що може призвести до серйозного поранення.
25. Не слід працювати біля легкозаймистих матеріалів. Вони можуть спалахнути від іскри.
26. Не слід застосовувати допоміжне приладдя, що потребує рідких охолоджувачів. Використання води, або рідких охолоджувачів може призвести по ураження електричним струмом або смерті.
27. Перед здійсненням будь-яких робіт з інструментом, завжди перевіряйте, щоб інструмент було вимкнено та відключено від мережі.
28. Для забезпечення безпеки оператора слід застосовувати автоматичний вимикач (30mA), якщо робоче місце надмірно гаряче та вологе, або дуже забруднюється пилом.
29. Завжди перевіряйте надійність опори. Під час користування інструментом нагорі, слід завжди стежити, щоб нікого не було внизу.

ЗБЕРІГАЙТЕ ЦІ ВКАЗІВКИ.

⚠УВАГА:

НІКОЛИ НЕ СЛІД втрачати пильності та розслаблюватися під час користування виробом (що трапляється при частому використанні); слід завжди строго дотримуватися правил безпеки під час використання цього пристрою. **НЕНАЛЕЖНЕ ВИКОРИСТАННЯ** або недотримання правил безпеки, викладених в цьому документі, може призвести до серйозних травм.

ІНСТРУКЦІЯ З ВИКОРИСТАННЯ

⚠УВАГА:

- **Перед тим як регулювати або перевіряти функціональність інструмента, переконайтеся, що інструмент вимкнено й від'єднано від мережі.** Якщо інструмент не вимкнено та не від'єднано від мережі, це може призвести до серйозних травм через випадковий запуск інструмента.

Дія вимикача.

мал.1

⚠ОБЕРЕЖНО:

- Перед тим, як включити інструмент до сіті, слід перевірити, щоб інструмент був вимкнений.

Для того щоб запустити інструмент, слід пересунути повзунковий перемикач в положення "I (ВМК.)".

Щоб зупинити інструмент, повзунковий перемикач слід пересунути у положення "O (ВИМК.)".

Регулювання швидкості орбітального ходу інструмента

мал.2

Швидкість орбітального ходу може регулюватися. Для зміни швидкості орбітального ходу слід повернути диск в одне із положень від 1 до 5. Чим більше число, тим вища швидкість орбітального ходу. Попередньо поставте диск на номер, що підходить для оброблюваної деталі.

ПРИМІТКА:

- Диск не можна безпосередньо повернути з 1 на 5 або з 5 на 1. Докладання зусиль при поводженні із диском може призвести до пошкодження інструмента. При зміні напрямку обертання диска завжди повертайте його через кожне проміжне число.

Постійний контроль швидкості

Пристрій електронного контролю швидкості для підтримки постійної швидкості орбітального ходу. Збереження постійної швидкості орбітального ходу навіть в умовах навантаження дозволяє досягти гарного результату обробки.

КОМПЛЕКТУВАННЯ

⚠ОБЕРЕЖНО:

- Перед тим, як щось встановлювати на інструмент, переконайтеся в тому, що він вимкнений та відключений від мережі.

Установлення або змінення насадки (додаткове приладдя)

⚠УВАГА:

- Не встановлюйте насадку у переверненому положенні. Це може призвести до пошкодження інструмента і спричинити серйозну травму.
- Установіть насадку в правильному напрямку залежно від виконуваної роботи. Насадку можна встановлювати під різними кутами через кожні 30 градусів.

⚠ОБЕРЕЖНО:

- Будьте обережними під час закривання важеля блокування. Важіль блокування може закритися несподівано й защемити вам палець.
- Видаляйте пил та час від часу змашуйте рухому частину важеля блокування. Інакше пил може накопичитися в рухомій частині важеля блокування й заважати його нормальному руху.
- Не запускайте інструмент, коли важіль блокування відкритий. Це може призвести до пошкодження інструмента.

мал.3

1. Повністю відкрийте важіль блокування. Вийміть утримувальний болт.

мал.4

2. Насуньте насадку (додаткове приладдя) на фланець інструмента таким чином, щоб виступи на фланці інструмента увійшли в отвори насадки.

мал.5

3. Уставте утримувальний болт до упору. Потім поверніть важіль блокування у вихідне положення.

При використанні наждакової шліфувальної насадки установіть насадку на наждакову шліфувальну подушку таким чином, щоб вона відповідала напрямку останньої.

Наждакова шліфувальна подушка має систему фіксації велкро, яка сприяє її швидкому та простому встановленню.

Оскільки в наждаковому папері є отвори для пилівдалення, установіть наждаковий папір таким чином, щоб отвори у наждаковому папері збіглися з отворами на наждаковій шліфувальній подушці.

Щоб зняти наждаковий папір, підійміть його за кінець і відірвіть.

Щоб виїняти утримувальний болт, виконайте процедуру встановлення у зворотному порядку.

мал.6

У разі використання насадки з іншим типом встановлення використовуйте відповідний адаптер (додаткове приладдя).

ЗАСТОСУВАННЯ

⚠УВАГА:

- Перш ніж запустити інструмент і під час роботи тримайте руки і обличчя подалі від насадки.

⚠ОБЕРЕЖНО:

- Завжди міцно тримайте інструмент однією рукою за корпус. Не торкайтесь металевих деталей.
- Не перенавантажуйте інструмент, інакше двигун буде заблоковано, і інструмент зупиниться.

Різання, розпилювання і зачищення

⚠ОБЕРЕЖНО:

- Не пересувайте інструмент, докладаючи силу, у напрямку роботи інструмента (наприклад, до будь-якого краю) без ріжучої частини. Це може призвести до пошкодження інструмента.

мал.7

Установіть насадку на деталь.

Після цього пересувайте інструмент уперед таким чином, щоб рух насадки не сповільнювався.

ПРИМІТКА:

- Докладання надмірних зусиль або тиску на інструмент може знизити його ефективність.
- Видаляйте тирсу, відвівши інструмент назад належним чином. Це сприятиме підвищенню продуктивності роботи.
- Перед виконанням різальних операцій рекомендується попередньо встановити швидкість орбітального ходу на 3–5.
- Для виконання різання уздовж довгих прямих ліній рекомендується використовувати круглу пилу.

Шліфування

⚠ОБЕРЕЖНО:

- Не використовуйте повторно наждаковий папір, який використовувався для шліфування металу, для шліфування деревини.
- Не використовуйте зношений наждаковий папір і незернистий наждаковий папір.

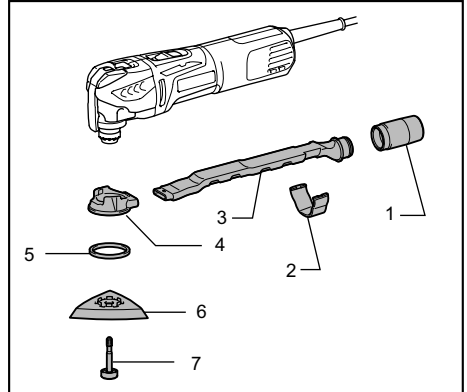
мал.8

Застосуйте наждаковий папір до деталі.

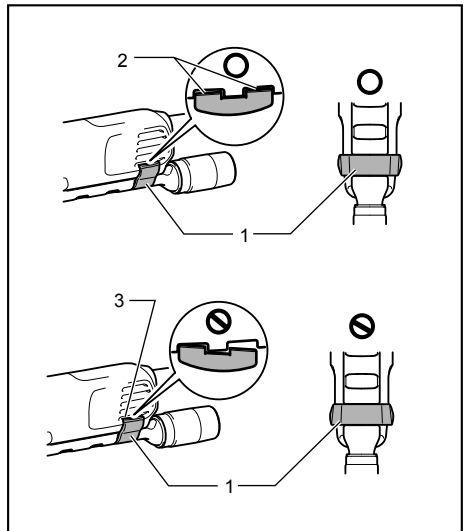
ПРИМІТКА:

- Для визначення правильної швидкості орбітального ходу, придатного для виконуваної роботи, рекомендується провести випробування на зразку матеріалу.
- Використовуйте наждаковий папір з однаковою зернистістю, поки не буде завершена обробка всієї деталі. Заміна наждакового паперу на папір із іншою зернистістю не дозволить отримати гарного результату шліфування.

Насадка для пиловидалення (додаткове приладдя)



- Муфта
 - Фіксатор штучера
 - Штуцер для пилу
 - Насадка для пиловидалення
 - Фетрове кільце
 - Підкладка
 - Утримувальний болт
- 013858



- Фіксатор штучера
 - Виступи
 - Отвори
- 013052
- Установіть з'єднувач, штучер для пилу і насадку для пиловидалення.
 - Установіть фіксатор штучера на інструмент таким чином, щоб його виступи входили в отвори на інструменті для закріплення.

- Установіть фетрове кільце і наждакову шліфувальну подушку на насадку для пиловидалення, після чого закріпіть їх монтажним болтом насадки.

мал.9

Якщо Ви хочете виконати операції з різання із дотриманням чистоти, до інструмента слід підключити пилосос. Приєднайте шланг пилососа до насадки для пиловидалення (додаткове приладдя).

ТЕХНІЧНЕ ОБСЛУГОВУВАННЯ

⚠ОБЕРЕЖНО:

- Перед тим, як оглянути інструмент, або виконати ремонт, переконайтеся, що він вимкнений та відключений від мережі.
- Ніколи не використовуйте газолін, бензин, розріджувач, спирт та подібні речовини. Їх використання може призвести до зміни кольору, деформації та появи тріщин.

Для того, щоб підтримувати БЕЗПЕКУ та НАДІЙНІСТЬ, ремонт, огляд та заміну вугільних щіток, будь-яке інше технічне обслуговування або регулювання мають виконувати уповноважені центри обслуговування "Макіта", де використовуються лише стандартні запчастини "Макіта".

ДОДАТКОВЕ ПРИЛАДДЯ

⚠ОБЕРЕЖНО:

- Це оснащення або приладдя рекомендовано для використання з інструментами "Макіта", що описані в інструкції з експлуатації. Використання якогось іншого оснащення або приладдя може спричинити травмування. Оснащення або приладдя слід використовувати лише за призначенням.

У разі необхідності, отримати допомогу в більш детальному ознайомленні з оснащенням звертайтеся до місцевого Сервісного центру "Макіта".

- Ріжуче полотно сегментної пили
- Ріжуче полотно круглої пили
- Ріжуче полотно врізної пили
- Скребок (твердий)
- Скребок (гнучкий)
- Ріжуче полотно зубчастої пили
- Загальна фугувальна фреза
- Твердосплавний пристрій видалення
- Твердосплавне ріжуче полотно сегментної пили
- Твердосплавна шліфувальна пластина
- Алмазне полотно сегментної пили
- Наждакова шліфувальна подушка
- Адаптер
- Дельта абразивного паперу (червоний / білий / чорний)
- Дельта вовни (середня / груба / незерниста)
- Дельта полірувального фетру

- Шестигранний ключ
- Насадка для пиловидалення

ПРИМІТКА:

- Деякі елементи списку можуть входити до комплекту інструмента як стандартне приладдя. Вони можуть відрізнятися залежно від країни.

Objaśnienia do widoku ogólnego

| | | |
|---------------------------|-------------------------------------|-------------------------------------|
| 1-1. Przełącznik suwakowy | 4-1. Śruba uchwyty | 6-2. Otwory w przyrządzie |
| 2-1. Suwak | 4-2. Otwory w przyrządzie | 6-3. Przejściówka |
| 3-1. Śruba uchwyty | 4-3. Występy na kołnierzu narzędzia | 6-4. Występy na kołnierzu narzędzia |
| 3-2. Dźwignia blokady | 6-1. Śruba uchwyty | |

SPECYFIKACJE

| | | |
|-----------------------------------|-------------------------------|-------------------------------------|
| Model | | TM3010C |
| Liczba oscylacji na minutę | | 6 000 - 20 000 (min ⁻¹) |
| Kąt zakresu oscylacji, lewy/prawy | | 1,6° (kąt całkowity 3,2°) |
| Długość całkowita | | 283 mm |
| Ciężar netto | bez przystawki przeciwpylowej | 1,6 kg |
| | z przystawką przeciwpylową | 1,7 kg |
| Klasa bezpieczeństwa | | II/II |

• W związku ze stale prowadzonym przez naszą firmę programem badawczo-rozwojowym, niniejsze specyfikacje mogą ulec zmianom bez wcześniejszego powiadomienia.

• Specyfikacje mogą różnić się w zależności od kraju.

• Waga obliczona zgodnie z procedurą EPTA 01/2003

ENE080-1

Tryb pracy: skrobanie

Przeznaczenie

Narzędzie jest przeznaczone do piłowania i cięcia drewna, tworzywa sztucznego, gipsu, metali nieżelaznych oraz elementów mocujących (np. niehartowane gwoździe, zszywki). Narzędzie to jest również przeznaczone do cięcia miękkich płytek ściennych, jak również do szlifowania na sucho oraz skrobania niewielkich powierzchni. Głównie jednak jest przeznaczone do cięcia blisko krawędzi oraz cięcia na makro.

Poziom ciśnienia akustycznego (L_{PA}): 82 dB (A)

Niepewność (K): 3 dB (A)

Poziom hałasu podczas pracy może przekraczać 80 dB (A).

Należy stosować ochroniacze na uszy

ENG900-1

Drgania

Całkowita wartość poziomu drgań (suma wektorów w 3 osiach) określona zgodnie z normą EN60745:

Tryb pracy: szlifowanie

Emisja drgań (a_h): 2,5 m/s² lub poniżej

Niepewność (K) : 1,5 m/s²

Poziom hałasu i drgań

Typowy równoważny poziom dźwięku A określony w oparciu o EN60745:

Tryb pracy: szlifowanie

Poziom ciśnienia akustycznego (L_{PA}): 80 dB (A)

Niepewność (K): 3 dB (A)

Poziom hałasu podczas pracy może przekraczać 80 dB (A).

Tryb pracy: cięcie za pomocą tarczy do cięcia wglębnego

Wytwarzanie drgań (a_h) : 6,5 m/s²

Niepewność (K) : 1,5 m/s²

Tryb pracy: cięcie tarczą do cięcia wglębnego

Poziom ciśnienia akustycznego (L_{PA}): 80 dB (A)

Niepewność (K): 3 dB (A)

Poziom hałasu podczas pracy może przekraczać 80 dB (A).

Tryb pracy: cięcie tarczą segmentową

Wytwarzanie drgań (a_h) : 2,5 m/s²

Niepewność (K) : 1,5 m/s²

Tryb pracy: cięcie tarczą segmentową

Poziom ciśnienia akustycznego (L_{PA}): 79 dB (A)

Niepewność (K): 3 dB (A)

Poziom hałasu podczas pracy może przekraczać 80 dB (A).

Tryb pracy: skrobanie

Wytwarzanie drgań (a_h) : 5,0 m/s²

Niepewność (K) : 1,5 m/s²

ENG901-1

- Deklarowana wartość wytwarzanych drgań została zmierzona zgodnie ze standardową metodą testową i można ją wykorzystać do porównywania narzędzi.
- Deklarowaną wartość wytwarzanych drgań można także wykorzystać we wstępnej ocenie narażenia.

⚠ OSTRZEŻENIE:

- Drgania wytwarzane podczas rzeczywistego użytkowania elektronarzędzia mogą się różnić od wartości deklarowanej, w zależności od sposobu jego użytkowania.
- W oparciu o szacowane narażenie w rzeczywistych warunkach użytkowania należy określić środki bezpieczeństwa w celu ochrony operatora (uwzględniając wszystkie elementy cyklu działania, tj. czas, kiedy narzędzie jest wyłączone i kiedy pracuje na biegu jałowym, a także czas, kiedy jest włączone).

ENH101-17

Dotyczy tylko krajów europejskich

Deklaracja zgodności UE

Firma Makita oświadcza, że poniższe urządzenie/-a:

Oznaczenie maszyny:

Narzędzie Wielofunkcyjne

Nr modelu / Typ: TM3010C

Jest zgodne z wymogami określonymi w następujących dyrektywach europejskich:

2006/42/EC

Jest/są produkowane zgodnie z następującymi normami lub dokumentami normalizacyjnymi:

EN60745

Dokumentacja techniczna zgodna w wymaganiami Dyrektywy 2006/42/WE jest dostępna w:

Makita, Jan-Baptist Vinkstraat 2, 3070, Belgia

31.12.2013



000331

Yasushi Fukaya

Dyrektor

Makita, Jan-Baptist Vinkstraat 2, 3070, Belgia

GEA010-1

Ogólne zasady bezpieczeństwa obsługi elektronarzędzi

⚠ OSTRZEŻENIE Przeczytaj wszystkie ostrzeżenia i instrukcje. Nie przestrzeganie ich może prowadzić do porażenia prądem, pożarów i/lub poważnych obrażeń ciała.

Wszystkie ostrzeżenia i instrukcje należy zachować do późniejszego wykorzystania.

OSTRZEŻENIA DOTYCZĄCE BEZPIECZNEJ EKSPLOATACJI NARZĘDZIA WIELOFUNKCYJNEGO

1. Niniejsze elektronarzędzie przeznaczone jest do piłowania, cięcia, szlifowania oraz wygładzania. Należy zapoznać się z wszystkimi zasadami bezpieczeństwa, instrukcjami, ilustracjami i danymi technicznymi dołączonymi do niniejszego elektronarzędzia. Niezastosowanie się do podanych poniżej instrukcji może prowadzić do porażenia prądem elektrycznym, pożaru i/lub poważnych obrażeń ciała.
2. Gdy narzędzie tnące podczas pracy może zetknąć się z ukrytymi przewodami elektrycznymi bądź własnym przewodem zasilającym, należy trzymać urządzenie za izolowane uchwyty. Przecięcie przewodu elektrycznego pod napięciem powoduje, że również odsłonięte elementy metalowe narzędzia znajdują się pod napięciem, grożąc porażeniem operatora prądem elektrycznym.
3. Należy używać zacisków lub innych praktycznych sposobów mocowania obrabianego przedmiotu do stabilnej podstawy i jego podparcia. Przytrzymywanie obrabianego przedmiotu ręką lub opieranie go o ciało nie gwarantuje stabilności i może prowadzić do utraty panowania.
4. Przewód należy trzymać w bezpiecznej odległości od wirującego osprzętu. W przypadku utraty panowania przewód może zostać przecięty lub wkręcony, wciągając dłoń lub rękę w wirujący osprzęt.
5. Należy zawsze używać okularów ochronnych lub gogli. Zwykle okulary bądź okulary przeciwsłoneczne NIE są okularami ochronnymi.
6. Nie tnij gwoździ. Przed przystąpieniem do pracy należy skontrolować, czy obrabiany element nie zawiera gwoździ i ewentualnie je usunąć.
7. Trzymać narzędzie w sposób niezawodny.
8. Przed włączeniem narzędzia upewnić się, że zamocowany przyrząd nie dotyka obrabianego elementu.
9. Nie zbliżać rąk do części ruchomych.
10. Nie pozostawiać załączonego elektronarzędzia. Można uruchomić elektronarzędzie tylko wtedy, gdy jest trzymane w rękach.
11. Przed wyjęciem wiertła należy wyłączyć narzędzie i odczekać aż tarcza całkowicie się zatrzyma.

12. Zaraz po zakończeniu pracy nie wolno dotykać zamocowanego przyrządu ani obrabianego elementu. Mogą one być bardzo gorące, grożąc poparzeniem skóry.
13. Nie należy bez potrzeby uruchamiać narzędzia bez obciążenia.
14. Powinno się zawsze zakładać maskę lub respirator właściwy dla danego materiału bądź zastosowania.
15. Niektóre materiały zawierają substancje chemiczne, które mogą być toksyczne. Unikać wdychania i kontaktu ze skórą. Przestrzegać przepisów bezpieczeństwa podanych przez dostawcę materiałów.
16. Opisywane narzędzie nie jest wodoszczelne, więc do szlifowania powierzchni nie wolno używać wody.
17. Podczas szlifowania w miejscu pracy należy zapewnić odpowiednią wentylację.
18. Stosowanie tego narzędzia do szlifowania niektórych materiałów, takich jak powierzchnie pokryte farbą ołowiową, drewno oraz metale może narazić użytkownika na działanie pyłu zawierającego substancje niebezpieczne. Używać odpowiedniej ochrony dróg oddechowych.
19. Przed przystąpieniem do pracy sprawdzić, czy podkładka nie jest popękana. Pęknięcia grożą obrażeniami ciała.
20. Używać jedynie osprzętu, który został specjalnie zaprojektowany i jest zalecany przez producenta narzędzia. Fakt, że osprzęt można zamocować do posiadanego elektronarzędzia, wcale nie gwarantuje bezpiecznej obsługi.
21. Należy nosić sprzęt ochrony osobistej. W zależności od wykonywanej operacji należy używać osłony twarzy, gogli lub okularów ochronnych. W miarę potrzeb zakładać sprzęt ochrony słuchu, rękawice i fartuch, który zatrzyma drobiny materiału ściernego i obrabianego przedmiotu. Ochrona oczu powinna zatrzymywać unoszące się w powietrzu drobiny materiału, które powstają podczas różnych operacji. Maski przeciwypyłowa lub oddechowa powinna filtrować drobiny wytwarzane podczas pracy. Przebywanie przez dłuższy czas w hałasie o dużym natężeniu może spowodować ubytek słuchu.
22. Osoby postronne powinny znajdować się w bezpiecznej odległości od miejsca pracy. Każdy, kto wchodzi do strefy roboczej, powinien mieć na sobie sprzęt ochrony osobistej. Fragmenty materiału z obrabianego przedmiotu lub pękniętego osprzętu mogą polecieć na dużą odległość i spowodować obrażenia poza bezpośrednim obszarem roboczym.
23. Nie wolno odkładać elektronarzędzia dopóki zainstalowany osprzęt nie zatrzyma się całkowicie. Wirujący osprzęt może zahaczyć o powierzchnię i elektronarzędzie zaczniesz się zachowywać w sposób niekontrolowany.
24. Uruchomionego elektronarzędzia nie wolno przenosić z miejsca na miejsce. Przypadkowy kontakt z narzędziem może spowodować pochwylenie ubrania i obrażenia ciała.
25. Nie wolno używać elektronarzędzia w pobliżu materiałów łatwopalnych. Mogą one zapalić się od iskier.
26. Nie wolno używać osprzętu wymagającego cieczy chłodzących. Używanie wody lub innych cieczy chłodzących grozi porażeniem lub udarem elektrycznym.
27. Przed przystąpieniem do jakichkolwiek prac przy urządzeniu zawsze upewnij się, czy urządzenie jest wyłączone i odłączone od zasilania.
28. Jeżeli w miejscu pracy panuje wyjątkowo wysoka temperatura i wilgotność, albo występuje silnie zanieczyszczone przewodzącym pyłem, należy zastosować bezpiecznik zwarciovowy (30 mA), aby zapewnić operatorowi bezpieczeństwo.
29. Podczas pracy należy zadbać o dobre oparcie dla nóg. W przypadku pracy na wysokościach należy upewnić się, że poniżej nie ma nikogo.

ZACHOWAĆ INSTRUKCJE.

⚠OSTRZEŻENIE:

NIE WOLNO pozwolić, aby wygoda lub rutyna (nabyta w wyniku wielokrotnego używania narzędzia) zastąpiły ścisłe przestrzeganie zasad bezpieczeństwa obsługi. **NIEWŁAŚCIWE UŻYTKOWANIE** narzędzia lub niestosowanie się do zasad bezpieczeństwa podanych w niniejszej instrukcji obsługi może prowadzić do poważnych obrażeń ciała.

OPIS DZIAŁANIA

⚠OSTRZEŻENIE:

- **Przed przystąpieniem do regulacji lub przeglądu narzędzia upewnić się, że zostało wyłączone i odłączone od zasilania.** Jeśli narzędzie pozostanie włączone lub podłączone do zasilania podczas prac konserwacyjnych, może to spowodować poważne obrażenia ciała w razie przypadkowego uruchomienia narzędzia.

Włączanie

Rys.1

⚠UWAGA:

- Przed podłączeniem narzędzia do zasilania, należy zawsze sprawdzić, czy jest ono wyłączone. W celu uruchomienia narzędzia wystarczy ustawić przełącznik suwakowy w położeniu „I (WŁ.)”. Aby wyłączyć narzędzie, wystarczy ustawić przełącznik suwakowy w położeniu „O (WYŁ.)”.

Ustawianie wartości skoku oscylacji

Rys.2

Istnieje możliwość ustawienia wartości skoku oscylacji. W celu zmiany wartości skoku oscylacji należy ustawić suwak w zakresie wartości od 1 do 5. Im większa wartość, tym większy skok oscylacji. Ustawić suwak w odpowiednim położeniu dla obrabianego elementu.

UWAGA:

- Suwak nie może zostać bezpośrednio ustawiony z wartości 1 na 5 lub z 5 na 1. Używanie zbyt dużej siły podczas ustawiania suwaka może doprowadzić do uszkodzenia narzędzia. W przypadku zmiany kierunku suwaka, należy przestawiać go przez poszczególne numery położeń.

Kontrola stałej prędkości

Elektroniczna kontrola prędkości zapewnia stałą prędkość. Można uzyskać bardzo dokładne wykończenie powierzchni, ponieważ wartość skoku oscylacji jest utrzymywana na stałym poziomie, nawet pod obciążeniem.

MONTAŻ

⚠UWAGA:

- Przed wykonywaniem jakichkolwiek czynności na elektronarzędziu należy upewnić się, czy jest ono wyłączone i nie podłączone do sieci.

Montaż lub demontaż przyrządu (wyposażenie dodatkowe)

⚠OSTRZEŻENIE:

- Nie montować przyrządu do góry nogami. Montaż przyrządu do góry nogami może prowadzić do uszkodzenia narzędzia oraz powstania obrażeń ciała.

- Montować przyrząd w prawidłowym kierunku, zgodnie z zaplanowaną pracą narzędzia. Przyrząd można zamontować pod kątem, co każde 30°.

⚠UWAGA:

- Zachować ostrożność podczas ustawiania dźwigni w pozycji zamkniętej. Dźwignia blokady podczas ustawiania w pozycji zamkniętej może nagle szybko przesunąć się i przytrzasnąć palce.
- Od czasu do czasu należy oczyścić z pyłu i nasmarować część ruchomą dźwigni blokady. W przeciwnym wypadku może dojść do nagromadzenia się pyłu w części ruchomej dźwigni blokady i utrudnienia jej płynnego ruchu.
- Nie uruchamiać narzędzia dopóki dźwignia znajduje się w pozycji otwartej. Narzędzie może ulec uszkodzeniu.

Rys.3

1. Ustawić dźwignię blokady w pozycji całkowicie otwartej. A następnie wyjąć śrubę uchwyty.

Rys.4

2. Umieścić przyrząd (wyposażenie dodatkowe) na kołnierzu narzędzia tak, aby występy na kołnierzu narzędzia pasowały do otworów w przyrządzie.

Rys.5

3. Wsunąć śrubę uchwyty do oporu. A następnie ustawić ponownie dźwignię blokady w jej oryginalnym położeniu.

W przypadku stosowania przyrządu do szlifowania zamontować go na okładzinie szlifierskiej w taki sposób, aby pasował do kierunku obrotu okładziny szlifierskiej. Okładzina szlifierska posiada system montażu na rzepę, który umożliwia łatwy i szybki montaż papieru ściernego. Papiery ścierne posiadają otwory umożliwiające odprowadzanie pyłu. W związku z powyższym montować papier ścierny w taki sposób, aby otwory na nim pasowały do otworów na okładzinie szlifierskiej. W celu usunięcia papieru ściernego, podnieść jego krawędź i zderzeć.

Aby wyjąć śrubę uchwyty, należy wykonać procedurę montażu w odwrotnej kolejności.

Rys.6

W przypadku korzystania z przyrządów wyposażonych w inny element montażowy, należy użyć odpowiedniej przejściówki (wyposażenie dodatkowe).

DZIAŁANIE

⚠OSTRZEŻENIE:

- Przed włączeniem oraz podczas pracy z narzędziem trzymać ręce oraz twarz z dala od przyrządu.

⚠UWAGA:

- Zawsze mocno trzymaj narzędzie z jedną ręką na obudowie. Nie dotykaj metalowej części.
- Nie poddawaj narzędzia działaniu zbyt dużych obciążeń, ponieważ może to doprowadzić do zablokowania silnika i wyłączenia narzędzia.

Cięcie, piłowanie i skrobanie

⚠UWAGA:

- Nie przesuwaj narzędzia, używając nadmiernej siły, w kierunku wykonywanej pracy (np. w obie strony) bez krawędzi tnącej. Może to prowadzić do uszkodzenia narzędzia.

Rys.7

Ustawić przyrząd na obrabianym elemencie.

A następnie przesunąć narzędzie w kierunku do przodu, tak aby prędkość przyrządu nie została spowolniona.

UWAGA:

- Używanie zbyt dużej siły lub wywieranie zbyt dużego nacisku na narzędzie może spowodować spadek wydajności.
- Usunąć opiłki, odchylając odpowiednio narzędzie. Zwiększa to wydajność pracy narzędzia.
- Przed przystąpieniem do cięcia zaleca się ustawienie skoku oscylacji na wartości 3-5.
- Do wykonywania długich, prostych cięć zaleca się stosowanie tarczy okrągłej.

Szlifowanie

⚠UWAGA:

- Nie używać ponownie tego samego papieru ściernego do szlifowania drewna, jeżeli wcześniej był on używany do szlifowania metalu.
- Nie używać zużytego papieru ściernego lub nieposiadającego odpowiedniej wielkości ziarna materiału ściernego.

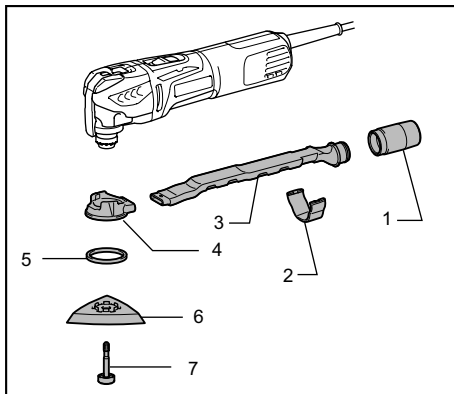
Rys.8

Przyłożyć papier ścierny do obrabianego elementu.

UWAGA:

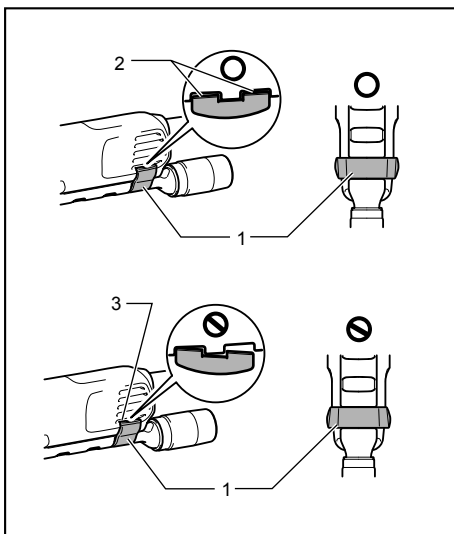
- Zaleca się wykonanie próby na materiale testowym w celu dopasowania właściwej wartości skoku oscylacji do obrabianego elementu.
- Używać papieru ściernego o takim samym rozmiarze ziarna do momentu zeszlifowania całego elementu obrabianego. Wymiana papieru ściernego na papier o innym rozmiarze ziarna może uniemożliwić uzyskanie precyzyjnego wykończenia.

Przystawka przeciwpływa (wyposażenie dodatkowe)



1. Złączka
2. Klamra dyszy
3. Dysza odpylania
4. Przystawka przeciwpływa
5. Pierścień filcowy
6. Podkładka
7. Śruba uchwyty

013858



1. Klamra dyszy
 2. Wypukłość
 3. Otwory
- 013052
- Zamontować złącze oraz dyszę i przystawkę przeciwpływa.
 - Zamontować klamrę dyszy na narzędziu, tak aby jej występy pasowały do otworów w narzędziu w celu jego zabezpieczenia.

- Umieścić pierścien filcowy oraz okładzinę szlifierską na przystawce przeciwpylowej, a następnie zamocować je za pomocą śruby mocującej przyrządu.

Rys.9

W celu zachowania czystości podczas pracy podłączyć do narzędzia odkurzacz firmy Makita. Podłączyć wąż odkurzacza do przystawki przeciwpylowej (wyposażenie dodatkowe).

KONSERWACJA

⚠UWAGA:

- Przed wykonywaniem kontroli i konserwacji należy się zawsze upewnić, czy elektronarzędzie jest wyłączone i nie podłączone do sieci.
- Nie wolno używać benzyny, benzenu, rozpuszczalnika, alkoholu itp. Substancje takie mogą spowodować odbarwienia, odkształcenia lub pęknięcia.

Dla zachowania **BEZPIECZEŃSTWA** i **NIEZAWODNOŚCI** wyrobu, naprawy, wymiana szczotek węglowych oraz inne prace konserwacyjne i regulacyjne powinny być wykonywane przez Autoryzowane Centra Serwisowe Makita, wyłącznie przy użyciu części zamiennych Makita.

AKCESORIA OPCJONALNE

⚠UWAGA:

- Zaleca się stosowanie wymienionych akcesoriów i dodatków razem z elektronarzędziem Makita opisanym w niniejszej instrukcji. Stosowanie jakichkolwiek innych akcesoriów i dodatków może stanowić ryzyko uszkodzenia ciała. Stosować akcesoria i dodatki w celach wyłącznie zgodnych z ich przeznaczeniem.

W razie potrzeby, wszelkiej pomocy i szczegółowych informacji na temat niniejszych akcesoriów udzieli Państwu lokalne Centra Serwisowe Makita.

- Tarcza segmentowa
- Tarcza okrągła
- Tarcza do cięcia wglębnego
- Skrobak (sztywny)
- Skrobak (elastyczny)
- Zębata tarcza segmentowa
- Szczypce ogólnego przeznaczenia
- Przyrząd do usuwania spieków węglkowych
- Tarcza segmentowa ze spieków węglkowych
- Płyta szlifierska ze spieków węglkowych
- Diamentowa tarcza segmentowa
- Okładzina szlifierska
- Przejściówka
- Papier ścierny delta (czerwony / biały / czarny)
- Filc delta (średni / z ziarnem ściernym / bez ziarn ściernych)
- Filc polerski delta
- Klucz sześciokątny
- Przystawka przeciwpylowa

UWAGA:

- Niektóre pozycje znajdujące się na liście mogą być dołączone do pakietu narzędziowego jako akcesoria standardowe. Mogą to być różne pozycje, w zależności od kraju.

Explicitarea vederii de ansamblu

| | | |
|-------------------------|---------------------------------------|---------------------------------------|
| 1-1. Comutator glisant | 4-1. Șurub de susținere | 6-2. Orificii în unealta de aplicație |
| 2-1. Selector | 4-2. Orificii în unealta de aplicație | 6-3. Adaptor |
| 3-1. Șurub de susținere | 4-3. Proeminențe ale flanșei mașinii | 6-4. Proeminențe ale flanșei mașinii |
| 3-2. Levier de blocare | 6-1. Șurub de susținere | |

SPECIFICAȚII

| | | |
|-----------------------------------|----------------------------------------|-------------------------------------|
| Model | | TM3010C |
| Oscilații pe minut | | 6.000 - 20.000 (min ⁻¹) |
| Unghi de oscilare, stânga/dreapta | | 1,6 ° (3,2 ° total) |
| Lungime totală | | 283 mm |
| Greutate netă | fără accesoriu de extragere a prafului | 1,6 kg |
| | cu accesoriu de extragere a prafului | 1,7 kg |
| Clasa de siguranță | | II/II |

- Datorită programului nostru continuu de cercetare și dezvoltare, caracteristicile pot fi modificate fără o notificare prealabilă.
- Specificațiile pot varia în funcție de țară.
- Greutatea este specificată conform procedurii EPTA-01/2003

ENE080-1

Destinația de utilizare

Mașina este destinată tăierii și debitării lemnului, plasticului, ghipsului, metalelor neferoase și elementelor de fixare (de exemplu, capse și cuie necălitate). De asemenea, este destinată prelucrării plăcilor moi de căptușit pereții, precum și șlefuirii și răzuirii suprafețelor mici. Adecvată în special pentru lucrări în apropierea marginilor și pentru tăieri aliniate.

ENG905-1

Emisie de zgomot

Nivelul de zgomot normal ponderat A determinat în conformitate cu EN60745:

Mod de lucru: Șlefuire

Nivel de presiune acustică (L_{PA}): 80 dB (A)

Marjă de eroare (K): 3 dB (A)

Nivelul de zgomot în timpul funcționării poate depăși 80 dB (A).

Mod de lucru: Tăiere cu pânză pentru ferăstrău pentru decupare prin plonjare

Nivel de presiune acustică (L_{PA}): 80 dB (A)

Marjă de eroare (K): 3 dB (A)

Nivelul de zgomot în timpul funcționării poate depăși 80 dB (A).

Mod de lucru: Tăiere cu pânză de ferăstrău segmentată

Nivel de presiune acustică (L_{PA}): 79 dB (A)

Marjă de eroare (K): 3 dB (A)

Nivelul de zgomot în timpul funcționării poate depăși 80 dB (A).

Mod de lucru: Răzuire

Nivel de presiune acustică (L_{PA}): 82 dB (A)

Marjă de eroare (K): 3 dB (A)

Nivelul de zgomot în timpul funcționării poate depăși 80 dB (A).

Purtați mijloace de protecție a auzului

ENG900-1

Vibrații

Valoarea totală a vibrațiilor (suma vectorilor tri-axiali) determinată conform EN60745:

Mod de lucru: șlefuire

Nivel de vibrații (a_h): 2,5 m/s² sau mai puțin

Marjă de eroare (K): 1,5 m/s²

Mod de lucru: tăiere cu pânză pentru ferăstrău

pentru decupare prin plonjare

Emisia de vibrații (a_h): 6,5 m/s²

Marjă de eroare (K): 1,5 m/s²

Mod de lucru: tăiere cu pânză de ferăstrău segmentată

Emisia de vibrații (a_h): 2,5 m/s²

Marjă de eroare (K): 1,5 m/s²

Mod de lucru: răzuire

Emisia de vibrații (a_h): 5,0 m/s²

Marjă de eroare (K): 1,5 m/s²

ENG901-1

- Nivelul de vibrații declarat a fost măsurat în conformitate cu metoda de test standard și poate fi utilizat pentru compararea unei unelte cu alta.
- Nivelul de vibrații declarat poate fi, de asemenea, utilizat într-o evaluare preliminară a expunerii.

⚠️ AVERTISMENT:

- Nivelul de vibrații în timpul utilizării reale a unelei electrice poate diferi de valoarea nivelului declarat, în funcție de modul în care unealta este utilizată.
- Asigurați-vă că identificați măsurile de siguranță pentru a proteja operatorul, acestea fiind bazate pe o estimare a expunerii în condiții reale de utilizare (luând în considerare toate părțile ciclului de operare, precum timpii în care unealta a fost oprită, sau a funcționat în gol, pe lângă timpul de declanșare).

ENH101-17

Numai pentru țările europene

Declarație de conformitate CE**Makita declară că următoarea(ele) mașină(i):**

Denumirea mașinii:

Mașină multifuncțională

Model Nr./ Tip: TM3010C

Este în conformitate cu următoarele directive europene:

2006/42/EC

Sunt fabricate în conformitate cu următorul standard sau documente standardizate:

EN60745

Fișierul tehnic în conformitate cu 2006/42/CE este disponibil de la:

Makita, Jan-Baptist Vinkstraat 2, 3070, Belgia

31.12.2013



000331

Yasushi Fukaya

Director

Makita, Jan-Baptist Vinkstraat 2, 3070, Belgia

GEA010-1

Avertismente generale de siguranță pentru unelte electrice

⚠️ **AVERTIZARE** Citiți toate avertizările de siguranță și toate instrucțiunile. Nerespectarea acestor avertizări și instrucțiuni poate avea ca rezultat electrocutarea, incendiul și/sau rănirea gravă.

Păstrați toate avertismentele și instrucțiunile pentru consultări ulterioare.

AVERTISMENTE PRIVIND SIGURANȚA PENTRU MAȘINA MULTIFUNCȚIONALĂ

1. **Această mașină electrică este destinată tăierii, debitării, polizării și șlefuirii. Citiți toate avertismentele privind siguranța, instrucțiunile, ilustrațiile și specificațiile furnizate cu această mașină electrică.** Nerespectarea integrală a instrucțiunilor de mai jos poate cauza electrocutări, incendii și/sau vătămări corporale grave.
2. **Apucați mașina de suprafețele izolate, atunci când efectuați o operațiune în cadrul căreia accesoriul de tăiere poate intra în contact cu cablurile ascunse sau cu propriul său cablu.** Contactul dintre accesoriul de tăiere și un cablu sub tensiune poate pune sub tensiune părțile metalice expuse ale mașinii, provocând șocuri electrice utilizatorului.
3. **Folosii bride sau altă metodă practică de a fixa și sprijini piesa de prelucrat pe o platformă stabilă.** Fixarea piesei cu mâna sau strângerea acesteia la corp nu prezintă stabilitate și poate conduce la pierderea controlului.
4. **Poziționați cablul la distanță de accesoriul aflat în rotație.** Dacă pierdeți controlul, cablul poate fi tăiat sau agățat și mâna sau brațul dumneavoastră pot fi trase în accesoriul aflat în rotație.
5. **Folosii întotdeauna viziere sau ochelari de protecție. Ochelarii obișnuiți sau ochelarii de soare NU sunt ochelari de protecție.**
6. **Evitați tăierea cuielor. Inspectați piesa de prelucrat și eliminați cuiile din aceasta înainte de începerea lucrării.**
7. **Țineți bine mașina.**
8. **Asigurați-vă că unealta de aplicație nu intră în contact cu piesa de lucru înainte de pornire.**
9. **Țineți mâinile la distanță de piesele în mișcare.**
10. **Nu lăsați mașina în funcțiune. Folosii mașina numai când o țineți cu mâinile.**
11. **Oprii întotdeauna mașina și așteptați ca pânza să se oprească complet înainte de a scoate pânza din piesa prelucrată.**
12. **Nu atingeți unealta de aplicație sau piesa de lucru imediat după executarea lucrării; acestea pot fi extrem de fierbinți și pot provoca arsuri ale pielii.**
13. **Nu acționați mașina în gol în mod inutil.**
14. **Folosii întotdeauna masca de protecție contra prafului adecvată pentru materialul și aplicația la care lucrați.**
15. **Unele materiale conțin substanțe chimice care pot fi toxice. Aveți grijă să nu inhalați praful și evitați contactul cu pielea. Respectați instrucțiunile de siguranță ale furnizorului.**

16. Această mașină nu este etanșă la apă, prin urmare nu folosiți apă pe suprafața piesei de prelucrat.
17. Ventilați corespunzător spațiul de lucru atunci când executați operații de șlefuire.
18. Folosirea acestei mașini pentru șlefuirea anumitor produse, de exemplu lemne, metale și suprafețe acoperite cu plumb poate expune utilizatorul și persoanele aflate în apropiere la substanțe periculoase. Folosiți protecție respiratorie adecvată.
19. Asigurați-vă că nu există fisuri sau rupturi pe taler înainte de utilizare. Fisurile sau rupturile pot provoca vătămări corporale.
20. Nu folosiți accesorii care nu sunt special concepute și recomandate de producătorul mașinii. Simplul fapt că accesoriul poate fi atașat la mașina dumneavoastră electrică nu asigură funcționarea în condiții de siguranță.
21. Purtați echipamentul individual de protecție. În funcție de aplicație, folosiți o mască de protecție, ochelari de protecție sau viziere de protecție. Dacă este cazul, purtați mijloace de protecție a auzului, mănuși și un șorț de lucru capabil să oprească fragmentele mici abrazive sau fragmentele piesei. Mijloacele de protecție a vederii trebuie să fie capabile să oprească resturile proiectate în aer generate la diverse operații. Mască de protecție contra prafului sau masca respiratoare trebuie să fie capabilă să filtreze particulele generate în timpul operației respective. Expunerea prelungită la zgomot foarte puternic poate provoca pierderea auzului.
22. Țineți spectatorii la o distanță sigură față de zona de lucru. Orice persoană care pătrunde în zona de lucru trebuie să poarte echipament personal de protecție. Fragmentele piesei prelucrate sau ale unui accesoriu spart pot fi proiectate în jur cauzând vătămări corporale în zona imediat adiacentă zonei de lucru.
23. Nu așezați niciodată mașina electrică înainte de oprirea completă a accesoriului. Accesoriul aflat în rotație ar putea apuca suprafața și trage de mașina electrică fără a o putea controla.
24. Nu lăsați mașina electrică în funcțiune în timp ce o transportați lângă corpul dumneavoastră. Contactul accidental cu accesoriul vă poate agăța îmbrăcămintea, trăgând accesoriul spre corpul dumneavoastră.
25. Nu folosiți mașina electrică în apropierea materialelor inflamabile. Scânteile pot aprinde aceste materiale.
26. Nu folosiți accesorii care necesită agenți de răcire lichizi. Folosirea apei sau a lichidelor de răcire poate cauza electrocutări sau șocuri de tensiune.
27. Asigurați-vă întotdeauna că mașina este oprită și deconectată înainte de a executa orice lucrări la mașină.
28. Dacă locul de muncă este extrem de călduros și umed, sau foarte poluat cu pulbere conductoare, folosiți un întrerupător de scurtcircuitare (30 mA) pentru a asigura protecția utilizatorului.
29. Asigurați-vă întotdeauna că aveți o poziție stabilă a picioarelor. Asigurați-vă că nu se află nicio persoană dedesubt atunci când folosiți mașina la înălțime.

PĂSTRAȚI ACESTE INSTRUCȚIUNI.

⚠️ AVERTISMENT:

NU permiteți comodității și familiarizării cu produsul (obținute prin utilizare repetată) să înlocuiască respectarea strictă a normelor de securitate pentru acest produs. FOLOSIREA INCORECTĂ sau nerespectarea normelor de securitate din acest manual de instrucțiuni poate provoca vătămări corporale grave.

DESCRIERE FUNCȚIONALĂ

⚠️AVERTISMENT:

- **Asigurați-vă întotdeauna că unealta este oprită și decuplată de la alimentare înaintea reglării și verificării funcțiilor.** Dacă unealta nu este oprită și decuplată de la alimentare, pot rezulta accidente grave în urma pornirii accidentale.

Acționarea întrerupătorului

Fig.1

⚠️ATENȚIE:

- Înainte de a conecta mașina, verificați întotdeauna dacă mașina este oprită.

Pentru a porni mașina, glisați comutatorul glisant spre poziția "I (ON)" (Pornire).

Pentru a opri mașina, glisați comutatorul glisant de pe mașină spre poziția "O (OFF)" (Oprire).

Reglarea ratei de cursă circulară

Fig.2

Rata de cursă circulară este reglabilă. Pentru a modifica rata de cursă circulară, rotiți selectorul între 1 și 5. Cu cât este mai ridicat numărul, cu atât este mai ridicată rata de cursă orbitală. Presetați selectorul la numărul potrivit pentru piesa de lucru.

NOTĂ:

- Selectorul nu poate fi rotit direct de la 1 la 5 sau de la 5 la 1. Forțarea selectorului poate duce la defectarea mașinii. La schimbarea direcției selectorului, rotiți întotdeauna selectorul comutând la fiecare număr intermediar.

Reglare constantă a vitezei

Reglare electronică a vitezei pentru obținerea unei viteze constante. Permite obținerea unei finisări de calitate deoarece rata de cursă circulară este menținută constantă chiar și în condiții de sarcină.

MONTARE

⚠️ATENȚIE:

- Asigurați-vă că ați oprit mașina și că ați deconectat-o de la rețea înainte de a efectua vreo intervenție asupra mașinii.

Montarea sau demontarea unelei de aplicație (accesoriu opțional)

⚠️AVERTISMENT:

- Nu montați unealta de aplicație cu susul în jos. Montarea unelei de aplicație cu susul în jos poate duce la defectarea mașinii și accidentări grave.
- Montați unealta accesoriu în direcție corectă, în funcție de lucrarea de efectuat. Unealta de aplicație poate fi montată la un unghi de 30 de grade.

⚠️ATENȚIE:

- Aveți grijă când închideți pârghia de blocare. Pârghia de blocare se poate închide brusc, prinzându-vă degetul.
- Curățați praful și lubrifiați partea mobilă a pârghiei de blocare din când în când. În caz contrar, praful se poate acumula pe partea mobilă a pârghiei de blocare, afectând mișcarea liberă a acesteia.
- Nu porniți mașina în timpul deschiderii pârghiei. Mașina poate fi avariata.

Fig.3

1. Deschideți complet pârghia de blocare. Și îndepărtați șurubul de susținere.

Fig.4

2. Amplasați unealta de aplicație (accesoriu opțional) pe flanșa mașinii astfel încât proeminențele flanșei să se potrivească în orificiile unelei de aplicație.

Fig.5

3. Introduceți șurubul de susținere până când se oprește. Și apoi aduceți pârghia de blocare înapoi în poziția originală.

La utilizarea unelei de aplicație pentru șlefuire, montați unealta de aplicație pe plăcuța de șlefuire, astfel încât să corespundă direcției plăcuței de șlefuire.

Plăcuța de șlefuire are un cârlig și un sistem de montare tip buclă care permite montarea rapidă și simplă a unui șmirghel.

Deoarece șmirghelul are orificii pentru extragerea prafului, montați șmirghelul astfel încât orificiile din acesta să corespundă orificiilor din plăcuța de șlefuire.

Pentru a îndepărta șmirghelul, ridicați capătul acestuia și desprindeți-l.

Pentru a înlătura șurubul de susținere, urmați procedurile de instalare în sens invers.

Fig.6

La utilizarea unor unele de aplicație cu un tip diferit de secțiune de instalare, utilizați un adaptor corect (accesoriu opțional).

FUNCȚIONARE

⚠️AVERTISMENT:

- Înainte de a scoate unealta și în timpul operării, feriți-vă mâinile și fața de unealta de aplicație.

⚠️ATENȚIE:

- Țineți întotdeauna mașina ferm, cu o mână pe carcasă. Nu atingeți partea metalică.
- Nu aplicați o sarcină excesivă pe unealtă, deoarece aceasta ar putea duce la blocarea motorului și oprirea mașinii.

Tăierea, debitarea și răzuirea

⚠ATENȚIE:

- Nu mutați forțat unealta în direcția (de exemplu, spre oricare dintre părți) de aplicare, fără o margine de tăiere. Acest lucru ar putea deteriora unealta.

Fig.7

Amplasați unealta de aplicație pe piesa de lucru. Apoi deplasați mașina înainte astfel încât mișcarea unelei de aplicație să nu încetinească.

NOTĂ:

- Forțarea unelei sau presiunea excesivă pe unealtă poate reduce eficiența.
- Îndepărtați rumegușul trăgând înapoi de unealtă în mod corespunzător. Astfel creșteți eficiența activității.
- Înainte operației de tăiere, se recomandă presetarea ratei de cursă circulară la 3 - 5.
- Ferăstrăul circular este recomandat pentru tăierea în linie dreaptă, pe distanțe mari.

Șlefuirea

⚠ATENȚIE:

- Nu reutilizați pentru șlefuirea lemnului un șmirghel care a fost folosit la șlefuirea metalului.
- Nu folosiți un șmirghel uzat sau un șmirghel fără strat abraziv.

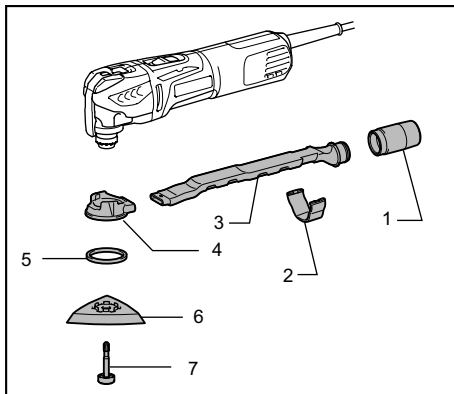
Fig.8

Aplicați șmirghelul pe piesa de lucru.

NOTĂ:

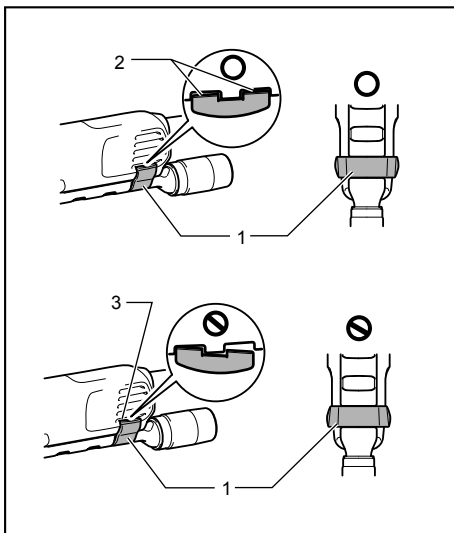
- Pentru a determina rata de cursă circulară adecvată pentru lucrarea de efectuat, se recomandă utilizarea unei mostre de material pentru test.
- Utilizați un șmirghel cu același strat abraziv până la finalizarea șlefuirii întregii piese de lucru. Înlocuirea unui șmirghel cu un șmirghel care are un strat abraziv diferit va împiedica obținerea unui finisaj uniform și fin.

Accesorii de extragere a prafului (accesoriu opțional)



- Articulație
- Bandă duză
- Duză de praf
- Accesoriu de protecție contra prafului
- Inel din păsă
- Taler
- Șurub de susținere

013858



- Bandă duză
- Protuberanțe
- Găuri

013052

- Montați articulația, duza de praf și accesoriul de protecție contra prafului.
- Montați banda de duză pe mașină astfel încât proeminențele acestuia să se potrivească în orificiile unelei pentru fixare.

- Amplașați inelul din pânză și plăcuța de șlefuire pe accesoriul de protecție contra prafului și apoi fixați-le cu șurubul de instalare a unelei de aplicație.

Fig.9

Dacă doriți să executați operații de curățare, conectați la mașina dumneavoastră un aspirator. Conectați furtunul aspiratorului la accesoriul de extragere a prafului (accesoriu opțional).

ÎNȚREȚINERE

⚠ATENȚIE:

- Asigurați-vă că ați oprit mașina și că ați debransat-o de la rețea înainte de a efectua operațiuni de verificare sau întreținere.
- Nu utilizați niciodată gazolină, benzină, diluant, alcool sau alte substanțe asemănătoare. În caz contrar, pot rezulta decolorări, deformări sau fisuri.

Pentru a menține SIGURANȚA și FIABILITATEA mașinii, reparațiile, schimbarea și verificarea periilor de carbon, precum și orice alte operațiuni de întreținere sau reglare trebuie să fie efectuate numai la Centrele de service autorizat Makita, folosindu-se piese de schimb Makita.

ACCESORII OPȚIONALE

⚠ATENȚIE:

- Folosiți accesoriile sau piesele auxiliare recomandate pentru mașina dumneavoastră în acest manual. Utilizarea oricăror alte accesorii sau piese auxiliare poate cauza vătămări. Folosiți accesoriile pentru operațiunea pentru care au fost concepute.

Dacă aveți nevoie de asistență sau de mai multe detalii referitoare la aceste accesorii, adresați-vă centrului local de service Makita.

- Pânză pentru ferăstrău de segmentare
- Pânză pentru ferăstrău rotundă
- Pânză pentru ferăstrău pentru decupare prin plonjare
- Racletă (rigidă)
- Racletă (flexibilă)
- Pânză de segmentare dințată
- Dispozitiv de tăiere universal pentru îmbinări
- Dispozitiv de extragere HM
- Pânză pentru ferăstrău de segmentare HM
- Placă de șlefuire HM
- Pânză ferăstrău pentru segmentare diamant
- Plăcuță de șlefuire
- Adaptor
- Hârtie delta abrazivă (roșie / albă / neagră)
- Delta din lână (medie / aspră / fără strat abraziv)
- Delta din pânză pentru netezire
- Cheie inbus
- Accesoriu de extragere a prafului

NOTĂ:

- Unele articole din listă pot fi incluse ca accesorii standard în ambalajul de scule. Acestea pot diferi în funcție de țară.

DEUTSCH (Originalbetriebsanleitung)

Erklärung der Gesamtdarstellung

| | | |
|------------------------|------------------------------------|------------------------------------|
| 1-1. Schiebeschalter | 4-1. Halteschraube | 6-2. Bohrungen im Nutwerkzeug |
| 2-1. Einstellrad | 4-2. Bohrungen im Nutwerkzeug | 6-3. Adapter |
| 3-1. Halteschraube | 4-3. Vorsprünge am Werkzeugflansch | 6-4. Vorsprünge am Werkzeugflansch |
| 3-2. Blockierungshebel | 6-1. Halteschraube | |

TECHNISCHE DATEN

| | | |
|---------------------------------|-----------------------------|-------------------------------------|
| Modell | | TM3010C |
| Schläge pro Minute | | 6.000 - 20.000 (min ⁻¹) |
| Schwingungswinkel, links/rechts | | 1,6 ° (3,2 ° insgesamt) |
| Gesamtlänge | | 283 mm |
| Netto-Gewicht | ohne Staubabzugsvorrichtung | 1,6 kg |
| | mit Staubabzugsvorrichtung | 1,7 kg |
| Sicherheitsklasse | | II/II |

• Aufgrund der laufenden Forschung und Entwicklung unterliegen die hier aufgeführten technischen Daten Veränderungen ohne Hinweis.

• Die technischen Daten können für verschiedene Länder unterschiedlich sein.

• Gewicht entsprechend der EPTA-Vorgehensweise 01/2003

ENE080-1

Verwendungszweck

Das Werkzeug ist für das Sägen und Schneiden von Holz, Kunststoff, Gips, Nichteisenmetallen und das Einbringen von Befestigungselementen (wie z. B. ungehärtete Nägel und Krampen) vorgesehen. Das Werkzeug ist außerdem für das Bearbeiten von ungehärteten Wandfließen und das Trockenschleifen und Abschaben von kleinen Flächen vorgesehen. Das Werkzeug eignet sich besonders für das Bearbeiten von Kanten und das Bündigschneiden.

ENG905-1

Geräuschpegel

Die typischen A-bewerteten Geräuschpegel, bestimmt gemäß EN60745:

Arbeitsmodus: Schleifen

Schalldruckpegel (L_{pA}) : 80 dB (A)

Abweichung (K): 3 dB (A)

Unter Arbeitsbedingungen kann der Schalldruckpegel 80 dB (A) überschreiten.

Arbeitsmodus: Schneiden mit Tauchsägeblatt

Schalldruckpegel (L_{pA}) : 80 dB (A)

Abweichung (K): 3 dB (A)

Unter Arbeitsbedingungen kann der Schalldruckpegel 80 dB (A) überschreiten.

Arbeitsmodus: Schneiden mit Segmentsägeblatt

Schalldruckpegel (L_{pA}) : 79 dB (A)

Abweichung (K): 3 dB (A)

Unter Arbeitsbedingungen kann der Schalldruckpegel 80 dB (A) überschreiten.

Arbeitsmodus: Abschaben

Schalldruckpegel (L_{pA}) : 82 dB (A)

Abweichung (K): 3 dB (A)

Unter Arbeitsbedingungen kann der Schalldruckpegel 80 dB (A) überschreiten.

Tragen Sie Gehörschutz.

ENG900-1

Schwingung

Schwingungsgesamtwerte (Vektorsumme dreier Achsen) nach EN60745:

Arbeitsmodus: Schleifen

Schwingungsbelastung (a_h): 2,5 m/s² oder weniger

Abweichung (K): 1,5 m/s²

Arbeitsmodus: Schneiden mit Tauchsägeblatt

Schwingungsausgabe (a_h): 6,5 m/s²

Abweichung (K): 1,5 m/s²

Arbeitsmodus: Schneiden mit Segmentsägeblatt

Schwingungsausgabe (a_h): 2,5 m/s²

Abweichung (K): 1,5 m/s²

Arbeitsmodus: Abschaben

Schwingungsausgabe (a_h): 5,0 m/s²

Abweichung (K): 1,5 m/s²

ENG901-1

• Die deklarierte Schwingungsbelastung wurde gemäß der Standardtestmethode gemessen und kann für den Vergleich von Werkzeugen untereinander verwendet werden.

- Die deklarierte Schwingungsbelastung kann auch in einer vorläufigen Bewertung der Gefährdung verwendet werden.

⚠️ WARNUNG:

- Die Schwingungsbelastung während der tatsächlichen Anwendung des Elektrowerkzeugs kann in Abhängigkeit von der Art und Weise der Verwendung des Werkzeugs vom deklarierten Belastungswert abweichen.
- Stellen Sie sicher, dass Schutzmaßnahmen für den Bediener getroffen werden, die auf den unter den tatsächlichen Arbeitsbedingungen zu erwartenden Belastungen beruhen (beziehen Sie alle Bestandteile des Arbeitsablaufs ein, also zusätzlich zu den Arbeitszeiten auch Zeiten, in denen das Werkzeug ausgeschaltet ist oder ohne Last läuft).

ENH101-17

Nur für europäische Länder

EG-Konformitätserklärung

Makita erklärt, dass die nachfolgende(n) Maschine(n):

Bezeichnung der Maschine(n):

Multifunktions-Werkzeug

Modellnr./ -typ: TM3010C

Den folgenden EG-Richtlinien entspricht:

2006/42/EC

Sie werden gemäß den folgenden Standards oder Normen gefertigt:

EN60745

Die technischen Unterlagen gemäß 2006/42/EG sind erhältlich von:

Makita, Jan-Baptist Vinkstraat 2, 3070, Belgien

31.12.2013



000331

Yasushi Fukaya

Direktor

Makita, Jan-Baptist Vinkstraat 2, 3070, Belgien

GEA010-1

Allgemeine Sicherheitshinweise für Elektrowerkzeuge

⚠️ WARNUNG Lesen Sie alle Sicherheitswarnungen und -anweisungen sorgfältig durch. Werden die Warnungen und Anweisungen ignoriert, besteht die Gefahr eines Stromschlags, Brands und/oder schweren Verletzungen.

Bewahren Sie alle Warnhinweise und Anweisungen zur späteren Referenz gut auf.

SICHERHEITSHINWEISE ZUM MULTIFUNKTIONS-WERKZEUG

- Dieses Elektrowerkzeug ist für Sägen, Schneiden, Aufrauen und Schleifen vorgesehen. Machen Sie sich gründlich mit allen Sicherheitshinweisen, Anweisungen, Abbildungen und Spezifikationen vertraut, die mit diesem Elektrowerkzeug geliefert wurden.** Wenn Sie nicht alle im Folgenden aufgeführten Anweisungen befolgen, kann es zu Stromschlägen, Bränden und/oder schweren Verletzungen kommen.
- Halten Sie das Elektrowerkzeug an den isolierten Griffflächen, wenn Sie unter Bedingungen arbeiten, bei denen das Schneidwerkzeug verborgene Verkabelung oder das eigene Kabel berühren kann.** Bei Kontakt des Schneidwerkzeugs mit einem stromführenden Kabel wird der Strom an die Metallteile des Elektrowerkzeugs und dadurch an den Bediener weitergeleitet, und der Bediener erleidet einen Stromschlag.
- Verwenden Sie Klemmen oder andere geeignete Geräte, um das Werkstück an einer stabilen Unterlage zu sichern.** Wenn Sie das Werkstück von Hand halten oder gegen Ihren Körper pressen, kann dies zu Unstabilität und Kontrollverlust führen.
- Halten Sie das Netzkabel von sich drehendem Zubehör fern.** Wenn Sie die Kontrolle über das Elektrowerkzeug verlieren, kann das Netzkabel durchtrennt oder erfasst werden und Ihre Hand oder Ihr Arm in das sich drehende Zubehör geraten.
- Tragen Sie immer Sicherheitsgläser oder Schutzbrillen.** Bei gewöhnlichen Brillen und Sonnenbrillen handelt es sich NICHT um Sicherheitsgläser.
- Vermeiden Sie es, in Nägel zu schneiden.** Untersuchen Sie das Werkstück auf Nägel, und entfernen Sie diese vor der eigentlichen Arbeit.
- Halten Sie das Werkzeug fest in der Hand.**
- Achten Sie vor dem Einschalten darauf, dass das Nutzwerkzeug das Werkstück nicht berührt.**
- Halten Sie Ihre Hände von beweglichen Teilen fern.**
- Lassen Sie das Werkzeug nicht unbeaufsichtigt laufen.** Arbeiten Sie nur mit ihm, wenn Sie es in der Hand halten.
- Schalten Sie das Werkzeug immer aus und warten Sie auf den völligen Stillstand des Sägeblatts, bevor Sie dieses aus dem Werkstück herausziehen.**

12. **Berühren Sie kurz nach dem Betrieb nicht das Nutzwerkzeug oder das Werkstück. Diese können extrem heiß sein und Verbrennungen verursachen.**
13. **Lassen Sie das Werkzeug nicht unnötig ohne Last laufen.**
14. **Verwenden Sie bei der Arbeit stets eine für das Material geeignete Staubmaske bzw. ein Atemgerät.**
15. **Manche Materialien enthalten Chemikalien, die giftig sein können. Geben Sie Acht, dass Sie diese nicht einatmen oder berühren. Lesen Sie die Material-Sicherheitsblätter des Lieferers.**
16. **Dieses Werkzeug ist nicht zum Nass-Schliff geeignet. Verwenden Sie daher kein Wasser auf der Werkstückoberfläche.**
17. **Beim Schleifbetrieb muss auf eine ausreichende Belüftung des Arbeitsplatzes geachtet werden.**
18. **Bei manchen Produkten, z. B. bei Oberflächen mit Bleifarben, Holz und Metallen, können der Benutzer sowie Umstehende beim Schleifen Staub ausgesetzt werden, der Gefahrstoffe enthält. Tragen Sie stets einen ausreichenden Atemschutz.**
19. **Überprüfen Sie den Schleifteller vor der Verwendung sorgfältig auf Risse oder sonstige Beschädigungen. Risse oder Beschädigungen bergen die Gefahr von Verletzungen.**
20. **Verwenden Sie ausschließlich Zubehörteile, die vom Hersteller des Werkzeugs entwickelt und empfohlen wurden. Nur weil sich Zubehörteil an dem Elektrowerkzeug befestigen lässt, garantiert das keine sichere Verwendung.**
21. **Tragen Sie eine entsprechende persönliche Schutzausrüstung. Tragen Sie je nach Arbeitsaufgabe einen Gesichtsschild oder eine Schutzbrille. Tragen Sie soweit erforderlich Staubmaske, Gehörschutz, Handschuhe und Arbeitsschürze, die kleine Schleifteile oder Splitter abhält. Der Augenschutz muss umherfliegende Fremdkörper abhalten können, die bei verschiedenen Arbeiten entstehen, die bei verschiedenen Arbeiten entstehen. Die Staub- oder Atemschutzmaske muss Partikel herausfiltern können, die bei verschiedenen Arbeiten entstehen. Lange und intensive Lärmeinwirkung kann zu Hörverlust führen.**
22. **Achten Sie bei anderen Personen auf sicheren Abstand zu Ihrem Arbeitsbereich. Jeder, der den Arbeitsbereich betritt, muss eine persönliche Schutzausrüstung tragen. Splitter des Werkstücks oder eines zerbrochenen Zubehörs können umherfliegen und zu Verletzungen auch außerhalb des eigentlichen Arbeitsbereichs führen.**
23. **Legen Sie das Elektrowerkzeug niemals ab, bevor das Zubehör völlig zum Stillstand gekommen ist. Das sich drehende Zubehör kann in Kontakt mit der Ablagefläche geraten, wodurch Sie die Kontrolle über das Elektrowerkzeug verlieren können.**
24. **Lassen Sie das Elektrowerkzeug nicht laufen, während Sie es tragen. Ihre Kleidung kann durch zufälligen Kontakt mit dem Zubehör erfasst werden, und das Zubehör kann sich in Ihren Körper bohren.**
25. **Verwenden Sie das Elektrowerkzeug nicht in der Nähe brennbarer Materialien. Funken können diese Materialien entzünden.**
26. **Verwenden Sie kein Zubehör, für das flüssiges Kühlmittel erforderlich ist. Die Verwendung von Wasser oder anderen flüssigen Kühlmitteln kann zu einem elektrischen Schlag führen.**
27. **Schalten Sie das Werkzeug stets aus und ziehen Sie den Stecker, bevor Sie irgendwelche Arbeiten am Werkzeug durchführen.**
28. **Falls der Arbeitsplatz sehr heiß ist, feucht oder durch leitfähigen Staub stark verschmutzt ist, verwenden Sie einen Kurzschlusschalter (30 mA) zum Schutz des Bedieners.**
29. **Achten Sie jederzeit auf einen festen Stand. Achten Sie darauf, dass sich niemand unter Ihnen befindet, wenn Sie das Werkzeug an erhöhten Orten verwenden.**

BEWAHREN SIE DIESE ANWEISUNGEN AUF.

⚠️ WARNUNG:

Lassen Sie sich NIE durch Bequemlichkeit oder (aus fortwährendem Gebrauch gewonnener) Vertrautheit mit dem Werkzeug dazu verleiten, die Sicherheitsregeln für das Werkzeug zu missachten. Bei MISSBRÄUCHLICHER Verwendung des Werkzeugs oder Missachtung der in diesem Handbuch enthaltenen Sicherheitshinweise kann es zu schweren Verletzungen kommen.

FUNKTIONSBESCHREIBUNG

⚠️ **WARNUNG:**

- **Schalten Sie das Werkzeug stets aus und ziehen Sie den Netzstecker, bevor Sie Einstellungen oder eine Funktionsprüfung am Werkzeug vornehmen.** Wenn Sie das Werkzeug nicht ausschalten und den Netzstecker nicht herausziehen, kann dies bei einem versehentlichen Starten zu schweren Verletzungen führen.

Einschalten

Abb.1

⚠️ **ACHTUNG:**

- Achten Sie vor dem Einstecken des Werkzeugs stets darauf, dass dieses ausgeschaltet ist.

Um das Werkzeug einzuschalten, schieben Sie den Schiebeschalter in die Position „I (ON)“ (EIN).

Zum Ausschalten des Werkzeugs schieben Sie den Schiebeschalter in die Position „O (OFF)“ (AUS).

Einstellen der Schwingrate

Abb.2

Die Schwingrate ist einstellbar. Zum Ändern der Schwingrate drehen Sie das Einstellrad zwischen 1 und 5. Je höher die Zahl ist, desto höher ist die Schwingrate. Stellen Sie vor den Arbeiten das Einstellrad auf eine für das Werkstück geeignete Zahl ein.

ANMERKUNG:

- Das Einstellrad kann nicht direkt von 1 auf 5 oder von 5 auf 1 eingestellt werden. Bei einem gewaltsamen direkten Wechsel zwischen diesen Einstellungen des Einstellrads kann das Werkzeug beschädigt werden. Drehen Sie bei einer Änderung der Einstellung in eine andere Richtung das Einstellrad immer durch alle Zwischeneinstellungen.

Regelung einer konstanten Geschwindigkeit

Die elektronische Drehzahlregelung erreicht eine konstante Drehzahl. Dadurch wird auch bei Belastung eine saubere Schnittfläche erreicht.

MONTAGE

⚠️ **ACHTUNG:**

- Ehe Sie am Werkzeug irgendwelche Arbeiten beginnen, überzeugen Sie sich immer vorher, dass es abgeschaltet und der Stecker aus der Dose gezogen ist.

Anbauen und Abbauen eines Nutzwerkzeugs (Sonderzubehör)

⚠️ **WARNUNG:**

- Bauen Sie ein Nutzwerkzeug nicht falschherum an. Wird ein Anwendungswerkzeug falschherum angebaut, kann das Werkzeug beschädigt werden, und es kann zu Verletzungen kommen.
- Bauen Sie ein Anbauwerkzeug in der richtigen Richtung entsprechend der Arbeiten an. Ein Nutzwerkzeug kann in verschiedenen Winkeln in Schritten von jeweils 30 Grad angebaut werden.

⚠️ **ACHTUNG:**

- Seien Sie vorsichtig, wenn Sie den Arretierhebel schließen. Der Arretierhebel könnte plötzlich schließen und Ihren Finger einklemmen.
- Reinigen Sie den beweglichen Teil des Arretierhebels von Zeit zu Zeit von Staub und schmieren Sie ihn. Andernfalls kann sich Staub im beweglichen Teil des Arretierhebels ansammeln und seine reibungslose Bewegung behindern.
- Starten Sie das Werkzeug nicht, während der Hebel öffnet. Das Werkzeug könnte dabei beschädigt werden.

Abb.3

1. Öffnen Sie den Arretierhebel vollständig und entfernen Sie die Halteschraube.

Abb.4

2. Setzen Sie ein Nutzwerkzeug (optionales Zubehör) so auf den Werkzeugflansch, dass die Erhebungen des Werkzeugflansches in die Öffnungen des Nutzwerkzeugs passen.

Abb.5

3. Drehen Sie die Halteschraube bis zum Anschlag ein und bringen Sie dann den Arretierhebel wieder in seine ursprüngliche Position.

Bei Verwendung eines Schleifwerkzeugs, befestigen Sie das Nutzwerkzeug so am Schleifteller, dass es der Richtung des Schleiftellers entspricht.

Der Schleifteller verfügt über ein Klettband-Befestigungssystem, das ein schnelles Befestigen von Schleifpapier ermöglicht.

Schleifpapier hat Löcher für das Absaugen von Staub. Befestigen Sie daher das Schleifpapier so, dass die Löcher im Schleifpapier mit den Löchern im Schleifteller übereinstimmen.

Um ein Schleifpapier abzunehmen, heben Sie den Rand des Schleifpapiers an und ziehen Sie das Schleifpapier ab.

Zum Entnehmen der Halteschraube befolgen Sie die EinbauprozEDUREN in umgekehrter Reihenfolge.

Abb.6

Verwenden Sie bei Arbeiten mit Nutwerkzeugen mit einem anderen Typ des Installationsabschnitts einen ordnungsgemäßen Adapter (Sonderzubehör).

ARBEIT

⚠️ WARNUNG:

- Halten Sie vor dem Einschalten und während des Betriebs des Werkzeugs Ihr Gesicht und Ihre Hände vom Nutwerkzeug fern.

⚠️ ACHTUNG:

- Halten Sie das Werkzeug immer mit einer Hand am Gehäuse fest. Berühren Sie keine Metallteile.
- Belasten Sie das Werkzeug nicht zu stark. Anderenfalls kann der Motor blockieren, und das Werkzeug stoppt.

Schneiden, Sägen und Abschaben

⚠️ ACHTUNG:

- Bewegen Sie das Werkzeug nicht mit Gewalt weiter in Richtung (z. B. zu einer der Seiten) der Werkzeuganwendung ohne Schnittkante. Dies könnte zu Schäden am Werkzeug führen.

Abb.7

Setzen Sie das Nutwerkzeug am Werkstück an. Bewegen Sie das Werkzeug anschließend so vorwärts, dass sich die Bewegung des Nutwerkzeugs nicht verlangsamt.

ANMERKUNG:

- Durch zu hohe Kräfte oder einen zu hohen Druck auf das Werkzeug kann sich die Arbeitsleistung verschlechtern.
- Entfernen Sie Sägespäne, indem Sie das Werkzeug entsprechend zurückziehen. Dies erhöht die Arbeitseffizienz.
- Es wird empfohlen, vor einem Schneidvorgang die Schwingrate auf 3 bis 5 einzustellen.
- Zum Schneiden in einer langen geraden Linie wird die Kreissäge empfohlen.

Schleifen

⚠️ ACHTUNG:

- Verwenden Sie zum Schleifen von Holz kein Schleifpapier, das zuvor zum Schleifen von Metall verwendet wurde.
- Verwenden Sie kein verschlissenes Schleifpapier und kein Schleifpapier ohne Schleifkorn.

Abb.8

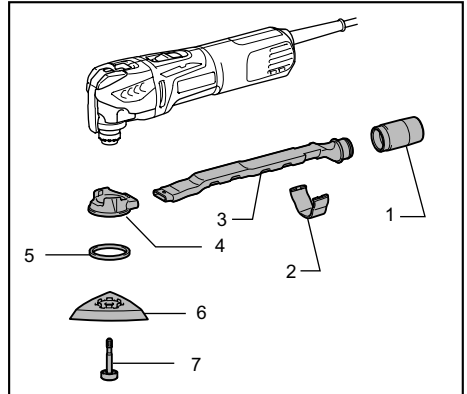
Setzen Sie ein Schleifpapier auf das Werkstück auf.

ANMERKUNG:

- Es wird empfohlen, anhand eines Tests an einer Materialprobe die korrekte Schwingrate zu ermitteln, die für die auszuführenden Arbeiten geeignet ist.

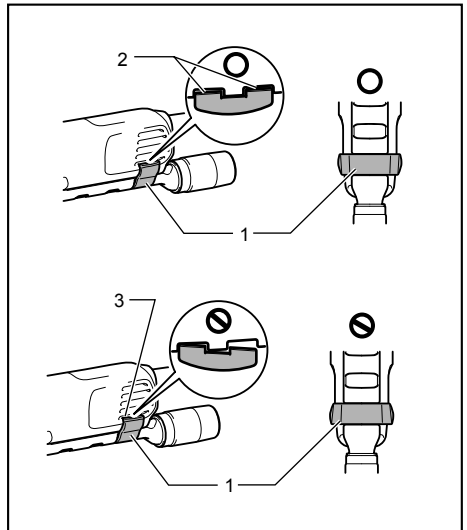
- Bearbeiten Sie das gesamte Werkstück vollständig mit Schleifpapier mit derselben Körnung. Bei Austausch des Schleifpapiers gegen ein Schleifpapier anderer Körnung wird möglicherweise keine sauber bearbeitete Oberfläche erreicht.

Staubabzugseinrichtung (Sonderzubehör)



1. Verbindung
2. Düsenhalter
3. Absaugstutzen
4. Staubaufsatz
5. Filzring
6. Schleifteller
7. Halteschraube

013858



1. Düsenhalter
2. Nasen
3. Löcher

013052

- Befestigen Sie Anschluss, Staubdüse und Staubaufsatz.
- Befestigen Sie den Düsenhalter so am Werkzeug, dass die Vorsprünge am Düsenhalter sicher und fest in den Öffnungen am Werkzeug sitzen.
- Setzen Sie den Filzring und den Schleifteller auf den Staubaufsatz auf und sichern Sie Filzring und Schleifteller mit Hilfe der Befestigungsschraube für Nutwerkzeuge.
- Diamant-Segmentsägeblatt
- Schleifteller
- Adapter
- Schmirgelpapier Delta (rot/weiß/schwarz)
- Vlies Delta (mittel/rau/ohne Korn)
- Polierfilz Delta
- Sechskantschlüssel
- Staubabzugsvorrichtung

Abb.9

Um größere Sauberkeit zu erzielen, schließen Sie einen Staubsauger an das Werkzeug an. Schließen Sie den Schlauch eines Staubsaugers an die Staubabzugseinrichtung (Sonderzubehör) an.

WARTUNG

⚠️ACHTUNG:

- Bevor Sie mit der Kontrolle oder Wartung des Werkzeugs beginnen, überzeugen Sie sich immer, dass es ausgeschaltet und der Stecker aus der Steckdose herausgezogen ist.
- Verwenden Sie zum Reinigen niemals Kraftstoffe, Benzin, Verdünnern, Alkohol oder ähnliches. Dies kann zu Verfärbungen, Verformungen oder Rissen führen.

Zur Aufrechterhaltung der SICHERHEIT und ZUVERLÄSSIGKEIT des Produkts müssen die Reparaturen, die Kontrolle und der Wechsel der Kohlen sowie alle Wartungen und Einstellungen von den autorisierten Servicestellen der Firma Makita und unter Verwendung der Ersatzteile von Makita durchgeführt werden.

SONDERZUBEHÖR

⚠️ACHTUNG:

- Für Ihr Werkzeug Makita, das in dieser Anleitung beschrieben ist, empfehlen wir folgende Zubehörteile und Aufsätze zu verwenden. Bei der Verwendung anderer Zubehörteile oder Aufsätze kann die Verletzungsgefahr für Personen drohen. Die Zubehörteile und Aufsätze dürfen nur für ihre festgelegten Zwecke verwendet werden.

Wenn Sie nähere Informationen bezüglich dieses Zubehörs benötigen, wenden Sie sich bitte an Ihre örtliche Servicestelle der Firma Makita.

- Segmentsägeblatt
- Rundsägeblatt
- Tauchsägeblatt
- Schaber (starr)
- Schaber (flexibel)
- Gezacktes Blatt
- Fugensäge
- HM-Entferner
- HM-Segmentsägeblatt
- HM-Schleifplatte

ANMERKUNG:

- Einige der in der Liste aufgeführten Elemente sind dem Werkzeugpaket als Standardzubehör beigelegt. Diese können in den einzelnen Ländern voneinander abweichen.

MAGYAR (Eredeti útmutató)

Az általános nézet magyarázata

| | | |
|---------------------|-----------------------------------------|-----------------------------------------|
| 1-1. Csúszókapcsoló | 4-2. Furatok a szerszámgépen | 6-3. Adapter |
| 2-1. Tárcsa | 4-3. A szerszám peremének kidudorodásai | 6-4. A szerszám peremének kidudorodásai |
| 3-1. Tartócsavar | 6-1. Tartócsavar | |
| 3-2. Zárretesz | 6-2. Furatok a szerszámgépen | |
| 4-1. Tartócsavar | | |

RÉSZLETES LEÍRÁS

| | | |
|----------------------------|---------------------------|------------------------------------|
| Modell | | TM3010C |
| Percenkénti oscillálás | | 6000 - 20 000 (min ⁻¹) |
| Oscillálás szöge, bal/jobb | | 1,6 ° (3,2 ° összesen) |
| Teljes hossz | | 283 mm |
| Tiszta tömeg | porelszívó adapter nélkül | 1,6 kg |
| | porelszívó adapterrel | 1,7 kg |
| Biztonsági osztály | | II/III |

- Folyamatos kutató- és fejlesztőprogramunk eredményeként az itt felsorolt tulajdonságok figyelmeztetés nélkül megváltozhatnak.
- A tulajdonságok országról országra különbözhetnek.
- Súly, az EPTA 01/2003 eljárás szerint

ENE080-1

A gép rendeltetése

A gép fa, műanyag, gipsz, színesfémek, valamint, kötőelemek fűrészelésére és vágására használható (pl. nem keményített szögek és ácskapcsok). Emellett használható még puha falburkoló lapok megmunkálásához, valamint kis felületek csiszolásához és kaparásához. Különösen alkalmazható szélékhez közeli és a szintben történő vágáshoz.

ENG905-1

Zaj

A tipikus A-súlyozású zajszint, a EN60745szerint meghatározva:

Működési mód: Csiszolás

Angnyomásszint (L_{pA}) : 80 dB (A)

Tűrés (K): 3 dB (A)

A zajszint a munkavégzés során meghaladhatja a 80 dB (A) értéket.

Működési mód: Vágás szűrő fűrészlappal

Angnyomásszint (L_{pA}) : 80 dB (A)

Tűrés (K): 3 dB (A)

A zajszint a munkavégzés során meghaladhatja a 80 dB (A) értéket.

Működési mód: Vágás szegmens fűrészlappal

Angnyomásszint (L_{pA}) : 79 dB (A)

Tűrés (K): 3 dB (A)

A zajszint a munkavégzés során meghaladhatja a 80 dB (A) értéket.

Működési mód: Kaparás

Angnyomásszint (L_{pA}) : 82 dB (A)

Tűrés (K): 3 dB (A)

A zajszint a munkavégzés során meghaladhatja a 80 dB (A) értéket.

Viseljen fülvédőt.

ENG900-1

Vibráció

A vibráció teljes értéke (háromtengelyű vektorösszeg) EN60745 szerint meghatározva:

Működési mód: csiszolás

Vibráció kibocsátás (a_h) : 2,5 m/s² vagy kevesebb

Tűrés (K): 1,5 m/s²

Működési mód: vágás szűrő fűrészlappal

Vibráció kibocsátás (a_h) : 6,5 m/s²

Tűrés (K): 1,5 m/s²

Működési mód: vágás szegmens fűrészlappal

Vibráció kibocsátás (a_h) : 2,5 m/s²

Tűrés (K): 1,5 m/s²

Működési mód: kaparás

Vibráció kibocsátás (a_h) : 5,0 m/s²

Tűrés (K): 1,5 m/s²

ENG901-1

- A rezgés kibocsátás értéke a szabványos vizsgálati eljárásnak megfelelően lett mérve, és segítségével az elektromos kéziszerszámok összehasonlíthatók egymással.
- A rezgés kibocsátás értékének segítségével előzetesen megbecsülhető a rezgésnek való kitétség mértéke.

▲ FIGYELMEZTETÉS:

- A szerszám rezgés kibocsátása egy adott alkalmazásnál eltérhet a megadott értéktől a használat módjától függően.
- Határozza meg a kezelő védelmét szolgáló munkavédelmi lépéseket, melyek az adott munkafeltételek melletti vibrációs hatás becsült mértékén alapulnak (figyelembe véve a munkaciklus elemeit, mint például a gép leállításának és üresjáratának mennyiségét az elindítások száma mellett).

ENH101-17

Csak európai országokra vonatkozóan

EK Megfelelőségi nyilatkozat**A Makita kijelenti, hogy az alábbi gép(ek):**

Gép megnevezése:

Többfunkciós szerszám

Típuszám/típus: TM3010C

Megfelel a következő Európai direktíváknak:

2006/42/EC

Gyártása a következő szabványoknak, valamint szabványosított dokumentumoknak megfelelően történik:

EN60745

A műszaki leírás a 2006/42/EK előírásainak megfelelően elérhető innen:

Makita, Jan-Baptist Vinkstraat 2, 3070, Belgium

31.12.2013



000331

Yasushi Fukaya

Igazgató

Makita, Jan-Baptist Vinkstraat 2, 3070, Belgium

GEA010-1

A szerszámgépekre vonatkozó általános biztonsági figyelmeztetések

▲ FIGYELEM Olvassa el az összes biztonsági figyelmeztetést és utasítást. Ha nem tartja be a figyelmeztetéseket és utasításokat, akkor áramütést, tüzet és/vagy súlyos sérülést okozhat.

Őrizzen meg minden figyelmeztetést és utasítást a későbbi tájékozódás érdekében.

TÖBBFUNKCIÓS SZERSZÁM BIZTONSÁGI FIGYELMEZTETÉS

1. Ezt az elektromos gépet fűrészelésre, vágásra és csiszolásra használhatja. Olvassa el az összes, ezen elektromos szerszámhoz mellékelt biztonsági figyelmeztetést, utasítást, illusztrációt és specifikációt. A következőkben leírt utasítások figyelmen kívül hagyása elektromos áramütést, tüzet és/vagy komoly sérülést eredményezhet.
2. A szerszámot a szigetelő fogófelületeinél fogja olyan műveletek végzésekor, amikor fennáll a veszélye, hogy a vágóeszköz rejtett vezetékkel vagy a szerszám tápkábelével érintkezhet. A vágószerszám "élő" vezetékkel való érintkezésekor a szerszám fém alkatrészi is "élővé" válhatnak, és a kezelőt áramütés.
3. Szorítókkal vagy más praktikus módon rögzítse és támassza meg a munkadarabot egy szilárd padozaton. A munkadarab a kezével vagy a testével való megtartás esetén instabil lehet és az uralom elvesztéséhez vezethet.
4. A csatlakozózsínort úgy vezesse, hogy ne legyen a forgó szerszám közelében. Ha elveszíti az irányítást a szerszám felett, a zsinór behúzhatja a kezét vagy a karját a forgó szerszámba.
5. Mindig viseljen védőszemüveget vagy szemvédőt. A normál szemüvegek vagy a napszemüvegek NEM védőszemüvegek.
6. Kerülje a szegek átvágását. A művelet megkezdése előtt ellenőrizze a munkadarabot, és húzza ki belőle a szegeket.
7. Tartsa a szerszámot szilárdan.
8. Ellenőrizze, hogy a gép nem ér a munkadarabhoz, mielőtt bekapcsolja a szerszámot.
9. Tartsa távol a kezeit a mozgó alkatrészekről.
10. Ne hagyja a szerszámot bekapcsolva. Csak kézzel tartva használja a szerszámot.
11. A fűrészlappal eltávolítása előtt a munkadarabot mindig kapcsolja ki a szerszámot és várja meg, amíg a fűrészlappal teljesen megáll.
12. Ne érjen a géphez vagy a munkadarabhoz közvetlenül a munkavégzést követően; azok rendkívül forrók lehetnek és megégethetik a bőrt.
13. Ne működtesse a szerszámot terhelés nélkül fölöslegesen.
14. Mindig a megmunkált anyagnak és az alkalmazásnak megfelelő pormaszkot/gázálcot használja.
15. Némelyik anyag mérgező vegyületet tartalmazhat. Gondoskodjon a por belélegzése elleni és érintés elleni védelemről. Kövesse az anyag szállítójának biztonsági utasításait.

16. Ez a szerszám nem vízálló, ezért ne használjon vizet a munkadarab felületén.
17. Megfelelően szellőztesse a munkaterületet ha csiszolási munkát végez.
18. Ezen szerszámmal bizonyos termékeket, mint például ólmozott festékes felületeket, fát és fémet csiszolja a felhasználó és környezete veszélyes vegyületeket tartalmazó por hatásának teheti ki magát. Használjon megfelelő légzésvédőt.
19. A használat előtt győződjön meg róla, hogy nincsenek repedések vagy törés a betétben. A repedések vagy a törés személyi sérülést okozhat.
20. Ne használjon olyan kiegészítőket, amelyeket nem speciálisan erre a célra lettek tervezve és a szerszám gyártója nem javasolta azok használatát. Az, hogy a kiegészítő hozzákapcsolható a szerszámhoz, még nem biztosítja a biztonságos működést.
21. Viseljen személyi védőeszközöket. A megmunkálás függvényében vegyen fel arcvédőt, szemvédőt vagy védőszemüveget. Ha szükséges, vegyen fel fülvédőt, kesztyűt és olyan kötényt, amely képes megfogni a csiszolóanyagból vagy a munkadarabból származó kisméretű darabokat. A szemvédőnek képesnek kell lennie megállítani a különböző műveletek során keletkező repülő törmelékdarabokat. A pormaszknak vagy a légzőkészüléknek képesnek kell lennie a művelet során keletkező részecskék kiszűrésére. A hosszabb ideig tartó nagyintenzitású zaj halláskárosodást okozhat.
22. A környezetében tartózkodók álljanak biztonságos távolságra a munkaterülettől. Bárkinek, aki a munkaterületre lép, személyi védelmi eszközöket kell felvennie. A munkadarabból vagy egy széttört kiegészítóből származó darabok szétrepülhetnek és sérüléseket okozhatnak a szerszám használati helye mögötti területen.
23. Soha ne fektesse le az elektromos gépet addig, amíg az teljesen meg nem állt. A forgó szerszám beakadhat a felületbe, és irányíthatatlanná válhat.
24. Ne működtesse a szerszámot, amikor az oldalánál viszi. Ha a szerszám véletlenül Önhöz ér, elkaphatja a ruháját, és a szerszám a testébe hatolhat.
25. Ne működtesse az elektromos szerszámot gyúlékony anyagok közelében. A szikrák felgyújtják ezeket az anyagokat.
26. Ne használjon olyan kiegészítőket, amelyekhez folyékony hűtőközeg szükséges. Víz vagy más folyadék használata rövidzárlatot vagy áramütést okozhat.
27. Minden esetben ellenőrizze, hogy a szerszám ki van kapcsolva és az akkumulátor eltávolításra került mielőtt bármilyen műveletet végez a szerszámon.
28. Ha a munkahely különösen meleg és párás, vagy elektromosan vezető porral szennyezett, használjon rövidzárlati megszakítót (30 mA) a biztonságos működés érdekében.
29. Mindig győződjön meg róla, hogy szilárd alapon áll. A szerszám magasban történő használatkor győződjön meg arról, hogy nem tartózkodik-e valaki odalent.

ŐRIZZE MEG EZEKET AZ UTASÍTÁSOKAT.

△FIGYELMEZTETÉS:

NE HAGYJA, hogy a kényelem vagy a termék (többszöri használatból adódó) mind alaposabb ismerete váltsa fel az adott termékre vonatkozó biztonsági előírások szigorú betartását. A **HELYTELEN HASZNÁLAT** és a használati útmutatóban szereplő biztonsági előírások megszegése súlyos személyi sérülésekhez vezethet.

MŰKÖDÉSI LEÍRÁS

⚠ FIGYELMEZTETÉS:

- **A szerszám gép beállítása vagy ellenőrzése előtt feltétlenül kapcsolja azt ki, és húzza ki a tápkábelét.** Ennek elmulasztása véletlen elindulás esetén súlyos személyi sérülésekkel járhat.

A kapcsoló használata

Fig.1

⚠ VIGYÁZAT:

- A szerszám csatlakoztatása előtt az áramforráshoz mindig ellenőrizze, hogy a szerszám ki van kapcsolva.

A szerszám bekapcsolásához csúsztassa a kapcsolót az „I (Be)” pozíció irányába.

A szerszám kikapcsolásához csúsztassa a kapcsolót a „O (Ki)” pozícióba.

A körív menti rezgésszám beállítása

Fig.2

A körív menti rezgésszám állítható. A körív menti rezgésszám beállításához, forgassa a számlálót 1 és 5 között. Minél nagyobb a szám, annál nagyobb a körív menti rezgésszám. Állítsa be előre a számlálót arra a számra, amelyik a legmegfelelőbb Önnek a munkavégzéshez.

MEGJEGYZÉS:

- A számláló nem állítható közvetlenül 1-ről 5-re vagy 5-ről 1-re. A számláló erőltetése a szerszám károsodásához vezethet. A számláló irányának változtatásakor mindig úgy forgassa azt, hogy minden egyes közbeeső számon áthalad.

Állandó fordulatszám-szabályozás

Elektronikus sebességszabályozás az állandó fordulatszám elérése érdekében. Lehetővé válik a finommegmunkálás, mivel a körív menti rezgésszám még terhelés alatt is ugyanaz marad.

ÖSSZESZERELÉS

⚠ VIGYÁZAT:

- Mindig bizonyosodjon meg a szerszám kikapcsolt és a hálózathoz nem csatlakoztatott állapotáról mielőtt bármilyen munkát végezne rajta.

Szerszám (opcionális kiegészítő) felhelyezése és eltávolítása

⚠ FIGYELMEZTETÉS:

- Ne szerelje fel a szerszámot fejfelé. Ha így tesz, a gép megsérülhet, és súlyos személyi sérülés történhet.
- A szerszámot a helyes irányban szerelje fel, a munkának megfelelően. A szerszámot 30 fokként elfordítva lehet felszerelni.

⚠ VIGYÁZAT:

- Legyen óvatos a reteszelőkar zárásakor. A reteszelőkar hirtelen záródhat, és becsípheti az ujját.
- Időről időre törölje le a port, és végezzen zsírzást a reteszelőkar mozgó alkatrészén. Ellenkező esetben a por beragadhat a reteszelőkar mozgó alkatrészébe, és gátolhatja a folyamatos mozgást.
- Ne indítsa el a szerszámot, amíg a kar kinyílik. A szerszám károsodhat.

Fig.3

1. Teljesen nyissa ki a reteszelőkart. És távolítsa el a tartócsavart.

Fig.4

2. Helyezzen egy szerszámgépet (opcionális kiegészítő) a szerszám karimájára, úgy, hogy a szerszám karimájának kidudorodásai a szerszám gép furataiba illeszkednek.

Fig.5

3. Ütközésig tegye be a tartócsavart. Majd forgassa a reteszelőkart az eredeti pozíciójába.

Csiszoló szerszám használatokor a szerszámot úgy szerelje fel a csiszolótalpra, hogy iránya megfeleljen a csiszolótalp irányával.

A csiszolótalpon egy kampós és hurkos rögzítőrendszer található, ami lehetővé teszi a csiszolóváson könnyű és gyors rögzítését.

Mivel a csiszolóvásnak furatok vannak kialakítva a por elvezetéséhez, úgy rögzítse a csiszolóvásnak, hogy a rajta lévő furatok illeszkedjenek a csiszolótalpon lévő furatokhoz.

A csiszolóváson eltávolításához emelje fel a végét, és húzza le.

A tartócsavar eltávolításához kövesse a felszerelési eljárást fordított sorrendben.

Fig.6

Ha a szerszámokat különböző típusú rögzítési helyzetekben használja, megfelelő adaptert használjon (opcionális kiegészítő).

ÜZEMELTETÉS

⚠ FIGYELMEZTETÉS:

- A gép elindítása előtt és működése közben kezét és arcát tartsa távol a szerszámtól.

⚠ VIGYÁZAT:

- Használat közben mindig erősen, egyik kezével a burkolatnál megfogva tartsa az eszközt. Ne érintse a fém részt.
- Ne alkalmazzon túlzott terhelést a szerszámmra, mert a motor leblokkolhat, és a szerszám mozgása leáll.

Vágás, fűrészelés és csiszolás

⚠VIGYÁZAT:

- Ne erőltesse a szerszám mozgását (egyik irányban sem) vágóél nélküli alkalmazás esetén. Ez a szerszám sérülését okozhatja.

Fig.7

Helyezze a szerszámot a munkadarabra.

Ezután mozgassa a készüléket előre úgy, hogy a szerszám mozgása ne lassuljon le.

MEGJEGYZÉS:

- Az erőltetés vagy a túlzott nyomás csökkenti a gép hatékonyságát.
- Távolítsa el a fűrészport a szerszám megfelelő visszahúzásával. Ez növeli a munka hatékonyságát.
- Vágási művelet megkezdése előtt ajánlott a körív menti rezgésszámot 3 – 5-re állítani.
- A körfűrész hosszú, egyenes vonalak vágására ajánlott.

Csiszolás

⚠VIGYÁZAT:

- Ne használjon újra olyan csiszolóvásznot, amit fém vagy fa csiszolásához használt.
- Ne használjon kopott, vagy csiszolószemcse nélküli vásznot.

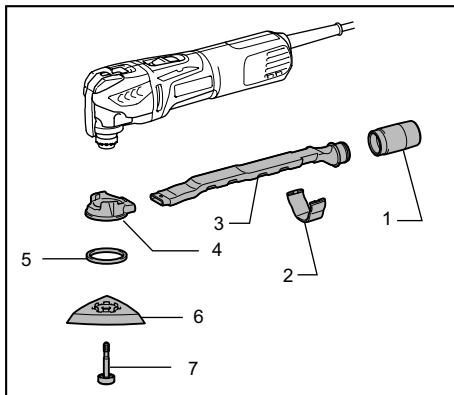
Fig.8

Tegye a csiszolóvásznot a munkadarabra.

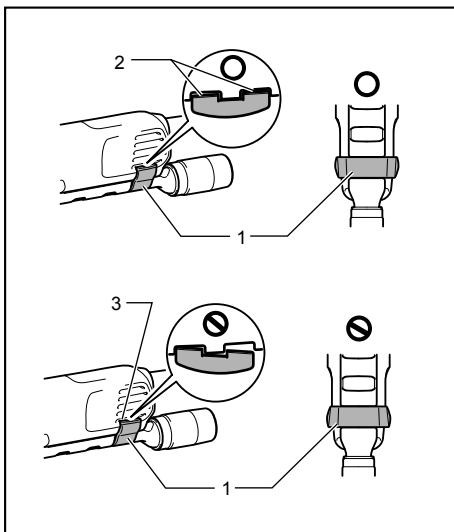
MEGJEGYZÉS:

- Javasoljuk egy mintadarab használatát, hogy eldönthesse a munkához megfelelő körív menti rezgésszámot.
- Azonos szemcseméretű csiszolóvásznot használjon a munkadarab megmunkálása során végig. Ha eltérő szemcseméretű csiszolóvásznonra vált, a munka eredménye nem lesz tökéletes.

Porelszívó adapter (opcionális kiegészítő)



1. Összekötő
 2. Rögzítőbilincs
 3. Porlefűvő
 4. Porelszívó adapter
 5. Filcgűrű
 6. Talp
 7. Tartócsavar
- 013858



1. Rögzítőbilincs
 2. Kiemelkedések
 3. Furatok
- 013052

- Szerelje fel a csatlakozót, porlefűvőkát és porelszívó adaptert.
- Szerelje fel a rögzítőbilincset a gépre úgy, hogy a kidudorodások a rögzítéshez illeszkedjenek a gép furataiba.

- Helyezze fel a filcgyűrűt és a csiszolótalpat a porszívó adapterre, majd rögzítse őket a szerszámgép rögzítőcsavarjával.

Fig.9

Amikor tiszta vágást szeretne végezni, csatlakoztasson egy porszívót a géphez. Csatlakoztassa a porszívó csövét a porszívó adapterhez (opcionális kiegészítő).

KARBANTARTÁS

⚠VIGYÁZAT:

- Mindig bizonyosodjék meg arról hogy a szerszám kikapcsolt és a hálózatra nem csatlakoztatott állapotban van mielőtt a vizsgálatához vagy karbantartásához kezdene.
- Soha ne használjon gázolajt, benzint, hígítót, alkoholt vagy hasonló anyagokat. Ezek elszineződést, alakvesztést vagy repedést okozhatnak.

A termék BIZTONSÁGÁNAK és MEGBÍZHATÓSÁGÁNAK fenntartásához, a javításokat, a szénkefék ellenőrzését és cseréjét, bármilyen egyéb karbantartást vagy beszabályozást a Makita Autorizált Szervizközpontoknak kell végrehajtaniuk, mindig Makita pótalkatrészek használatával.

OPCIONÁLIS KIEGÉSZÍTŐK

⚠VIGYÁZAT:

- Ezek a tartozékok vagy kellékek ajánlottak az Önnek ebben a kézikönyvben leírt Makita szerszámához. Bármely más tartozék vagy kellék használata személyes veszélyt vagy sérülést jelenthet. A tartozékot vagy kelléket használja csupán annak kifejezett rendeltetésére.

Ha bármilyen segítségre vagy további információkra van szüksége ezekkel a tartozékokkal kapcsolatban, keresse fel a helyi Makita Szervizközpontot.

- Szegmens fűrészlap
- Kerek fűrészlap
- Szűrő fűrészlap
- Kaparó (merev)
- Kaparó (rugalmas)
- Recés penge
- Általános hézagvágó
- Keményfém bevonatú csiszoló
- Keményfém bevonatú fűrészlap
- Keményfém bevonatú vágólap
- Gyémánt fűrészlap
- Csiszolótalp
- Adapter
- Dörzspapír delta (piros/fehér/fekete)
- Gyapjú delta (közepes/durva/szemcse nélkül)
- Fényezőfilc delta
- Imbuszkulcs
- Porszívó toldalék

MEGJEGYZÉS:

- A listán felsorolt néhány kiegészítő megtalálható az eszköz csomagolásában standard kiegészítőként. Ezek országonként eltérőek lehetnek.

Vysvetlenie všeobecného zobrazenia

| | | |
|----------------------------|-----------------------------------|-----------------------------------|
| 1-1. Posuvný prepínač | 4-1. Prídržná skrutka | 6-2. Otvory v pracovnom nástroji |
| 2-1. Nastavovacie koliesko | 4-2. Otvory v pracovnom nástroji | 6-3. Adaptér |
| 3-1. Prídržná skrutka | 4-3. Výčnelky na prírube nástroja | 6-4. Výčnelky na prírube nástroja |
| 3-2. Blokovacia páčka | 6-1. Prídržná skrutka | |

TECHNICKÉ ÚDAJE

| | | |
|----------------------------|---------------------------------|-----------------------------------|
| Model | | TM3010C |
| Otáčky za minútu | | 6000 - 20000 (min ⁻¹) |
| Oscilačný uhol, ľavý/právy | | 1,6 ° (3,2 ° spolu) |
| Celková dĺžka | | 283 mm |
| Hmotnosť netto | bez násadca na odsávanie prachu | 1,6 kg |
| | s násadcom na odsávanie prachu | 1,7 kg |
| Trieda bezpečnosti | | II/II |

- Vzhľadom k neustálemu výskumu a vývoju tu uvedené technické údaje podliehajú zmenám bez upozornenia.
- Technické údaje sa môžu pre rozne krajiny líšiť.
- Hmotnosť podľa postupu EPTA 01/2003

ENE080-1

Určené použitie

Nástroj je určený na pílenie a rezanie dreva, plastov, sadry, neželezných kovov a prípevňovacích prvkov (napr. netvrdených klinec a svoriek). Je tiež určený na prácu s mäkkými stenovými obkladačkami, ako aj na brúsenie za sucha a oškrabovanie malých povrchov. Špeciálne vhodný je na prácu v blízkosti okrajov a úroveňové rezanie.

ENG905-1

Hluk

Typická hladina akustického tlaku pri záťaži A určená podľa EN60745:

Pracovný režim: brúsenie brúsnyim papierom

Úroveň akustického tlaku (L_{pA}) : 80 dB (A)

Odchýlka (K) : 3 dB (A)

Úroveň hluku pri práci môže prekročiť 80 dB (A).

Pracovný režim: rezanie zapichovacím pilovým listom

Úroveň akustického tlaku (L_{pA}) : 80 dB (A)

Odchýlka (K) : 3 dB (A)

Úroveň hluku pri práci môže prekročiť 80 dB (A).

Pracovný režim: rezanie článkovaným pilovým listom

Úroveň akustického tlaku (L_{pA}) : 79 dB (A)

Odchýlka (K) : 3 dB (A)

Úroveň hluku pri práci môže prekročiť 80 dB (A).

Pracovný režim: oškrabovanie

Úroveň akustického tlaku (L_{pA}) : 82 dB (A)

Odchýlka (K): 3 dB (A)

Úroveň hluku pri práci môže prekročiť 80 dB (A).

Používajte chrániče sluchu

ENG900-1

Vibrácie

Celková hodnota vibrácií (trojosový vektorový súčet) určená podľa normy EN60745:

Pracovný režim: brúsenie

Vyžarovanie vibrácií (a_{h1}) : 2,5 m/s² alebo menej

Odchýlka (K): 1,5 m/s²

Pracovný režim: rezanie zapichovacím pilovým listom

Vyžarovanie vibrácií (a_{h1}) : 6,5 m/s²

Odchýlka (K): 1,5 m/s²

Pracovný režim: rezanie článkovaným pilovým listom

Vyžarovanie vibrácií (a_{h1}) : 2,5 m/s²

Odchýlka (K): 1,5 m/s²

Pracovný režim: oškrabovanie

Vyžarovanie vibrácií (a_{h1}) : 5,0 m/s²

Odchýlka (K) : 1,5 m/s²

ENG901-1

- Deklarovaná hodnota emisií vibrácií bola meraná podľa štandardnej skúšobnej metódy a môže sa použiť na porovnanie jedného náradia s druhým.
- Deklarovaná hodnota emisií vibrácií sa môže použiť aj na predbežné posúdenie vystavenia ich účinkom.

VAROVANIE:

- Emisie vibrácií počas skutočného používania elektrického náradia sa môžu odlišovať od deklarovanej hodnoty emisií vibrácií, a to v závislosti na spôsoboch používania náradia.
- Nezabudnite označiť bezpečnostné opatrenia s cieľom chrániť obsluhu, a to tie, ktoré sa zakladajú na odhade vystavenia účinkom v rámci reálnych podmienok používania (berúc do úvahy všetky súčasti prevádzkového cyklu, ako sú doby, kedy je náradie vypnuté a kedy beží bez zaťaženia, ako dodatok k dobe zapnutia).

ENH101-17

Len pre európske krajiny

Vyhlasenie o zhode so smernicami Európskeho spoločenstva

Spoločnosť Makita vyhlasuje, že nasledovné strojné zariadenie(a):

Označenie strojného zariadenia:

Univerzálny nástroj

Číslo modelu/Typ: TM3010C

Je v zhode s nasledujúcimi európskymi smernicami:

2006/42/EC

Sú vyrobené podľa nasledovných noriem a štandardizovaných dokumentov:

EN60745

Technická dokumentácia podľa smernice 2006/42/ES je k dispozícii na adrese:

Makita, Jan-Baptist Vinkstraat 2, 3070, Belgicko

31.12.2013



000331

Yasushi Fukaya

Riaditeľ

Makita, Jan-Baptist Vinkstraat 2, 3070, Belgicko

GEA010-1

Všeobecné bezpečnostné predpisy pre elektronáradie

UPOZORNENIE Prečítajte si všetky upozornenia a inštrukcie. Nedodržanie pokynov a inštrukcií môže mať za následok úraz elektrickým prúdom, požiar alebo vážne zranenie.

Všetky pokyny a inštrukcie si odložte pre prípad potreby v budúcnosti.

BEZPEČNOSTNÉ VÝSTRAHY PRE UNIVERZÁLNY NÁSTROJ

1. Tento elektrický nástroj je určený na pilenie, rezanie, brúsenie a brúsenie brúsnym papierom. Prečítajte si všetky bezpečnostné výstrahy, pokyny, nákresy a špecifikácie určené pre tento elektrický nástroj. Ak sa nedodržia všetky pokyny uvedené nižšie, môže dôjsť k úrazu elektrickým prúdom, požiaru alebo vážnemu poraneniu.
2. Elektrické náradie pri práci držte len za izolované úchopné povrchy, lebo rezný prvok sa môže dostať do kontaktu so skrytými vodičmi alebo vlastným káblom. Rezné príslušenstvo, ktoré sa dostane do kontaktu so „živým“ vodičom môže spôsobiť vystavenie kovových častí elektrického náradia „živému“ prúdu a spôsobiť tak obsluhu zasiahnutie elektrickým prúdom.
3. Pomocou svoriek alebo iným praktickým spôsobom zaistíte a podoprite obrobok k stabilnému povrchu. Pri držaní obrobku rukou alebo opretý oproti telu nebude stabilný a môžete nad ním stratiť kontrolu.
4. Kábel umiestnite ďalej od otáčajúceho sa príslušenstva. Ak stratíte kontrolu, kábel sa môže prezať alebo zachytiť a vašu ruku alebo rameno môže vtiahnuť do otáčajúceho sa príslušenstva.
5. Vždy používajte ochranné okuliare alebo bezpečnostné okuliare. Obyčajné optické alebo slnečné okuliare NIE sú ochranné okuliare.
6. Nerežte kince. Pred prácou skontrolujte, či na obrobku nie sú kince a prípadne ich odstráňte.
7. Držte nástroj pevne.
8. Pred zapnutím spínača skontrolujte, či sa pracovný nástroj nedotýka obrobku.
9. Ruky držte mimo dosahu pohyblivých častí.
10. Nenechávajte nástroj bežať bez dozoru. Pracujte s ním, len keď ho držíte v rukách.
11. Predtým, ako odtiahnete ostrie z obrobku, vypnite nástroj a vždy počkajte, kým sa ostrie úplne nezastaví.
12. Nedotýkajte sa pracovného nástroja ani obrobku hneď po skončení práce. Môžu byť veľmi horúce a popáliť vám pokožku.
13. Nepoužívajte nástroj zbytočne bez záťaž.
14. Vždy používajte správnu protiprachovú masku/respirátor primerané pre konkrétny materiál a použite.
15. Niektoré materiály obsahujú chemikálie, ktoré môžu byť jedovaté. Dávajte pozor, aby ste ich nevdychovali alebo sa ich nedotýkali. Prečítajte si bezpečnostné materiálové listy dodávateľa.

16. Tento nástroj nie je odolný voči vode, takže nepoužívajte vodu na povrchu obrobku.
17. Keď vykonávate leštenie, pracovné miesto primerane vetrajte.
18. Pri používaní tohto nástroja na brúsenie niektorých výrobkov, ako sú napr. drevené a kovové povrchové nátery s obsahom olova, môžu byť používateľ a okolostojace osoby vystavené prachu obsahujúcemu nebezpečné látky. Používajte vhodné dýchacie ochranné pomôcky.
19. Pred použitím skontrolujte, či na podložke nie sú žiadne praskliny alebo zlomy. Praskliny alebo zlomy môžu spôsobiť poranenie osôb.
20. Nepoužívajte príslušenstvo, ktoré nie je výslovne určené a odporúčané výrobcom nástroja. To, že príslušenstvo možno pripojiť k vášmu elektrickému nástroju, nezaistuje bezpečnú prevádzku.
21. Používajte osobné ochranné prostriedky. V závislosti od aplikácie používajte štít na tvár, ochranné okuliare alebo bezpečnostné okuliare. Podľa potreby používajte chrániče sluchu, rukavice a pracovnú zásteru schopnú zachytiť malé úlomky brusiva alebo obrobku. Chránič zraku musí byť schopný zachytiť odletujúce úlomky vznikajúce pri rôznych prácach. Protiprachová maska alebo respirátor musia byť schopné filtrovať čistočky vznikajúce pri práci. Dlhodobé vystavenie intenzívnemu hluku môže spôsobiť stratu sluchu.
22. **Okolostojacich udržiavajte v bezpečnej vzdialenosti od pracovného miesta. Každý, kto vstúpi na miesto práce, musí mať osobné ochranné prostriedky.** Úlomky obrobku alebo poškodené príslušenstvo môže odletieť a spôsobiť poranenie aj mimo bezprostredného miesta práce.
23. **Nikdy elektrický nástroj neodkladajte, kým sa príslušenstvo úplne nezastavilo.** Otáčajúce sa príslušenstvo môže zachytiť a stiahnuť elektrický nástroj mimo vašu kontrolu.
24. **Nikdy nespúšťajte elektrický nástroj, keď ho nosíte na boku.** Pri náhodnom kontakte s príslušenstvom by vám mohlo zachytiť odev a stiahnuť príslušenstvo smerom na telo.
25. **Nepoužívajte nástroj v blízkosti horľavých materiálov.** Iskry mohli spôsobiť vznietenie týchto materiálov.
26. **Nepoužívajte príslušenstvo, ktoré vyžadujú tekuté chladivá.** Pri použití vody alebo iného tekutého chladiva by mohlo dôjsť k usmrteniu alebo úderu elektrickým prúdom.
27. **Pred vykonávaním akýchkoľvek úprav na nástroji vždy skontrolujte, či je nástroj vypnutý a odpojený.**
28. **Pri práci v extrémne horúcom a vlhkom prostredí alebo prostredí silne znečistenom vodivým prachom používajte skratový istič (30 mA) na zaistenie bezpečnosti obsluhy.**
29. **Vždy dbajte na pevné postavenie. Keď používate nástroj na vyšších miestach, skontrolujte, či niekto nie je pod vami.**

TIETO POKYNY USCHOVAJTE.

⚠VAROVANIE:

NIKDY nepripustíte, aby pohodlie a dobrá znalosť výrobku (získané opakovaným používaním) nahradili presné dodržiavanie bezpečnostných pravidiel pre náradie. NESPRÁVNE POUŽÍVANIE alebo nedodržiavanie bezpečnostných pokynov uvedených v tomto návode na obsluhu môže spôsobiť vážne poranenia osôb.

POPIS FUNKCIE

⚠VAROVANIE:

- Pred nastavovaním a kontrolou fungovania náradia náradie vždy vypnite a odpojte od prívodu elektrickej energie. Opomenutie vypnúť náradie a odpojiť ho od prívodu elektrickej energie môže mať pri náhodnom spustení za následok vážne osobné poranenie.

Zapínanie

Fig.1

⚠POZOR:

- Pred zapojením tohto nástroja vždy skontrolujte, či je nástroj vypnutý.

Nástroj sa zapína posunutím prepínača do polohy I (zapnuté).

Nástroj sa zastaví posunutím prepínača do polohy O (vypnuté).

Nastavenie frekvencie okružného záberu

Fig.2

Frekvenciu okružného záberu možno nastaviť. Ak chcete zmeniť frekvenciu okružného záberu, nastavte koliesko do polohy v rozsahu 1 až 5. Čím vyššia hodnota sa nastaví, tým vyššia je frekvencia okružného záberu. Koliesko vopred nastavte na hodnotu, ktorá je vhodná pre váš obrobok.

POZNÁMKY:

- Nastavovacie koliesko nemožno priamo otočiť z hodnoty 1 na hodnotu 5 ani z hodnoty 5 na hodnotu 1. Násilným otáčaním sa môže nástroj poškodiť. Pri zmene smeru otáčania nastavovacie koliesko vždy otáčajte postupne cez čísla všetkých polôh.

Riadenie nemennej rýchlosti

Elektronická regulácia konštantných otáčok. Vhodné na dosiahnutie hladkého povrchu, pretože otáčky okružného záberu sú konštantné aj pri zaťaženi.

MONTÁŽ

⚠POZOR:

- Než začnete na nástroji robiť akékoľvek práce, vždy sa predtým presvedčte, že je vypnutý a vytiahnutý zo zásuvky.

Montáž alebo demontáž pracovného nástroja (voliteľné príslušenstvo)

⚠VAROVANIE:

- Pracovný nástroj neinštalujte otočený smerom nahor. V prípade inštalácie pracovného nástroja smerom nahor sa môže poškodiť nástroj a hrozí vážne zranenie osôb.

- Nástroj nastavca inštalujte v správnej polohe podľa vykonávanej práce. Pracovný nástroj sa môže inštalovať v uhle v intervale 30°.

⚠POZOR:

- Pri zatváraní poistnej páčky dávajte pozor. Poistná páčka sa môže náhle zatvoriť a zovrieť váš prst.
- Občas očistite prach a namažte pohyblivú časť poistnej páčky. V opačnom prípade sa môže na pohyblivej časti páčky hromadiť prach a brániť jej plynulému pohybu.
- Nástroj nespúšťajte, ak je páčka otvorená. Nástroj sa môže poškodiť.

Fig.3

1. Poistnú páčku úplne otvorte. A odskrutkujte pridrznú skrutku.

Fig.4

2. Na prírubu nástroja položte náradie na aplikáciu (voliteľné príslušenstvo) tak, aby výčnelky na prírubu nástroja zapadli do otvorov na náradí na aplikáciu.

Fig.5

3. Pridrznú skrutku zasuňte na doraz. A poistnú páčku vráťte do jej pôvodnej polohy.

Ak sa používa pracovný nástroj na brúsenie, namontujte ho na brúsnu prítlačnú dosku tak, aby zodpovedal smeru brúsnej prítlačnej dosky.

Brúsna prítlačná doska je vybavená systémom uchytenia s hákom a pútkom, ktorý umožňuje jednoduché a rýchle zachytenie brúsneho papiera.

Brúsne papiere majú otvory na odsávanie prachu. Brúsny papier preto nasadzte tak, aby sa otvory v brúsnom papieri zarovnali s otvormi v brúsnej prítlačnej doske.

Ak chcete brúsny papier odstrániť, nadvihnite ho za okraj a stiahnite ho.

Pri vyberaní pridržnej skrutky postupujte podľa pokynov v opačnom poradí.

Fig.6

Pre pracovný nástroj s iným typom inštaláčnej časti použite správny adaptér (voliteľné príslušenstvo).

PRÁCA

⚠VAROVANIE:

- Pred spustením nástroja a počas práce nepribližujte ruky a tvár k pracovnému nástroju.

⚠POZOR:

- Náradie držte vždy pevne jednou rukou za skriňu. Nedotýkajte sa kovových častí.
- Nástroj nadmerne nezaťažujte. Môže to viesť k zablokovaniu motora a zastaveniu nástroja.

Rezanie, pílenie a oškrabovanie

⚠ POZOR:

- Pri pohybe nástroja (napr. do ľubovoľnej strany) nevyvíjajte silu na stranu nástroja bez čepele. Môže dôjsť k poškodeniu nástroja.

Fig.7

Pracovný nástroj umiestnite na obrobok.

Potom posuňte nástroj dopredu tak, aby sa nespomalil jeho pohyb.

POZNÁMKY:

- Nadmerný prítlak na nástroj môže znížiť jeho efektívnosť.
- Piliny odstráňte rovnomerným ťahaním univerzálneho nástroja. Zvyšuje sa tak pracovná efektívnosť.
- Pred rezaním sa pre frekvenciu okružného záberu odporúča nastaviť hodnota 3 – 5.
- Kruhovú pílu odporúčame používať na rezanie dlhých rovných líní.

Brúsenie brúsnyim papierom

⚠ POZOR:

- Brúsny papier použitý na brúsenie kovu nepoužívajte znovu na brúsenie dreva.
- Nepoužívajte opotrebovaný brúsny papier ani brúsny papier bez zrna.

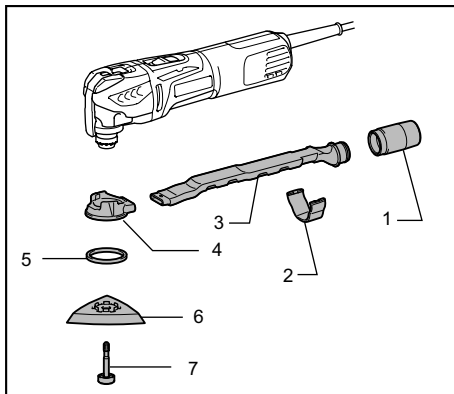
Fig.8

Brúsny papier priložte na obrobok.

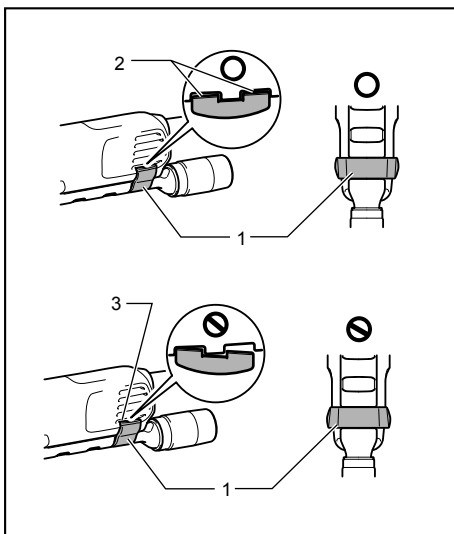
POZNÁMKA:

- Odporúča sa pomocou vzorky skúšobného materiálu určiť správnu frekvenciu okružného záberu vhodnú pre danú prácu.
- Používajte brúsne papiere s rovnakým zrnom, kým sa nedokončí brúsenie celého obrobku. V prípade nahradenia brúsneho papiera brúsnyim papierom s iným zrnom sa nemusí dosiahnuť kvalitná povrchová úprava.

Násadec na odsávanie prachu (voliteľné príslušenstvo)



1. Kľb
 2. Držiak hubice
 3. Otvor na prach
 4. Násadec na odsávanie prachu
 5. Plstený krúžok
 6. Podložka
 7. Prídružná skrutka
- 013858



1. Držiak hubice
 2. Výstupky
 3. Otvory
- 013052

- Nainštalujte spojovací prvok, prachové hubice a násadec na odsávanie prachu.
- Na nástroj nainštalujte držiak hubice tak, aby výčnelky držiaka zapadli do otvorov v nástroji a zaistili držiak.

- Nasadte plstený krúžok a brúsnu prítlačnú dosku na násadec na odsávanie prachu a potom ich pripievňte skrutkou na inštaláciu pracovného nástroja.

Fig.9

Ak chcete pracovať čisto, k nástroju pripojte vysávač. Hadicu vysávača pripojte k násadcu na odsávanie prachu (voliteľné príslušenstvo).

ÚDRŽBA

⚠ POZOR:

- Než začnete robiť kontrolu alebo údržbu nástroja, vždy se presvedčte, že je vypnutý a vytiahnutý zo zásuvky.
- Nepoužívajte benzín, riedidlo, alkohol ani nič podobné. Mohlo by to spôsobiť zmenu farby, deformácie alebo praskliny.

Kvôli zachovaniu BEZPEČNOSTI a SPOLAHLIVOSTI výrobku musia byť opravy, kontrola a výmena uhlíkov a akákoľvek ďalšia údržba či nastavovanie robené autorizovanými servisnými strediskami firmy Makita a s použitím náhradných dielov Makita.

VOLITEĽNÉ PRÍSLUŠENSTVO

⚠ POZOR:

- Pre váš nástroj Makita, opísaný v tomto návode, doporučujeme používať toto príslušenstvo a nástavce. Pri použití iného príslušenstva či nástavcov môže hroziť nebezpečenstvo zranenia osôb. Príslušenstvo a nástavce sa môžu používať len na účely pre ne stanovené.

Ak potrebujete bližšie informácie týkajúce sa tohoto príslušenstva, obráťte sa na vaše miestne servisné stredisko firmy Makita.

- Člankovaný pilový list
- Kruhový pilový list
- List na zapichovacie rezanie
- Škrabadlo (pevné)
- Škrabadlo (pružné)
- Ozubený člankovaný pilový list
- Univerzálna fréza na drevo
- Odstraňovač HM
- Člankovaný pilový list HM
- Brúsna doska HM
- Diamantový člankovaný pilový list
- Brúsna prítlačná doska
- Adaptér
- Brúsny papier delta (červený/biely/čierny)
- Plst' delta (so stredným zrnom/hrubo zrná/bez zrna)
- Leštiaca plst' delta
- Šesthranný francúzsky kľúč
- Násadec na odsávanie prachu

POZNÁMKA:

- Niektoré položky zo zoznamu môžu byť súčasťou balenia náradia vo forme štandardného príslušenstva. Rozsah týchto položiek môže byť v každej krajine odlišný.

ČESKÝ (originální návod k obsluze)

Legenda všeobecného vyobrazení

| | | |
|----------------------|-----------------------------------|-----------------------------------|
| 1-1. Posuvný spínač | 4-1. Přidrzný šroub | 6-2. Otvory v aplikačním nástroji |
| 2-1. Otočné kolečko | 4-2. Otvory v aplikačním nástroji | 6-3. Adaptér |
| 3-1. Přidrzný šroub | 4-3. Výstupky nástrojové příruby | 6-4. Výstupky nástrojové příruby |
| 3-2. Blokovací páčka | 6-1. Přidrzný šroub | |

TECHNICKÉ ÚDAJE

| | | |
|----------------------------|--------------------------------|-------------------------------------|
| Model | | TM3010C |
| Počet kmitů za minutu | | 6 000 - 20 000 (min ⁻¹) |
| Oscilační úhel, levý/pravý | | 1,6 ° (celkem 3,2 °) |
| Celková délka | | 283 mm |
| Hmotnost netto | bez nástavce k odsávání prachu | 1,6 kg |
| | s nástavcem k odsávání prachu | 1,7 kg |
| Třída bezpečnosti | | II/II |

- Vzhledem k neustálému výzkumu a vývoji zde uvedeně technické údaje podléhají změnám bez upozornění.
- Technické údaje se mohou pro různé země lišit.
- Hmotnost podle EPTA – Procedure 01/2003

ENE080-1

Účel použití

Nářadí je určeno k řezání a přifřezávání dřeva, plastu, sádkkartonu, neželezných kovů a spojovacího materiálu (např. netvrzených hřebíků a sponek). Nářadí je určeno také ke zpracování měkkých obkladů, suchému smirkování a škrabání menších ploch. Zvláště vhodné je k práci v blízkosti hran a k zařezávání.

ENG905-1

Hlučnost

Typická vážená hladina hluku (A) určená podle normy EN60745:

Pracovní režim: smirkování

Hladina akustického tlaku (L_{PA}): 80 dB (A)

Nejistota (K): 3 dB (A)

Hladina hluku při práci může překročit hodnotu 80 dB (A).

Pracovní režim: řezání se zapichovacím pilovým kotoučem

Hladina akustického tlaku (L_{PA}): 80 dB (A)

Nejistota (K): 3 dB (A)

Hladina hluku při práci může překročit hodnotu 80 dB (A).

Pracovní režim: řezání se segmentovým pilovým kotoučem

Hladina akustického tlaku (L_{PA}): 79 dB (A)

Nejistota (K): 3 dB (A)

Hladina hluku při práci může překročit hodnotu 80 dB (A).

Pracovní režim: škrabání

Hladina akustického tlaku (L_{PA}): 82 dB (A)

Nejistota (K): 3 dB (A)

Hladina hluku při práci může překročit hodnotu 80 dB (A).

Používejte ochranu sluchu

ENG900-1

Vibrace

Celková hodnota vibrací (vektorový součet tří os) určená podle normy EN60745:

Pracovní režim: smirkování

Emise vibrací (a_h): 2,5 m/s² nebo méně

Nejistota (K): 1,5 m/s²

Pracovní režim: řezání se zapichovacím pilovým kotoučem

Vibrační emise (a_h): 6,5 m/s²

Nejistota (K): 1,5 m/s²

Pracovní režim: řezání se segmentovým pilovým kotoučem

Vibrační emise (a_h): 2,5 m/s²

Nejistota (K): 1,5 m/s²

Pracovní režim: škrabání

Vibrační emise (a_h): 5,0 m/s²

Nejistota (K): 1,5 m/s²

ENG901-1

- Deklarovaná hodnota emisí vibrací byla změřena v souladu se standardní testovací metodou a může být využita ke srovnávání nářadí mezi sebou.
- Deklarovanou hodnotu emisí vibrací lze rovněž využít k předběžnému posouzení vystavení jejich vlivu.

VAROVÁNÍ:

- Emise vibrací během skutečného používání elektrického nářadí se mohou od deklarované hodnoty emisí vibrací lišit v závislosti na způsobu použití nářadí.

- Na základě odhadu vystavení účinkům vibrací v aktuálních podmínkách zajistíte bezpečnostní opatření k ochraně obsluhy (vezměte v úvahu všechny části pracovního cyklu, mezi něž patří kromě doby pracovního nasazení i doba, kdy je nářadí vypnuto nebo pracuje ve volnoběhu).

ENH101-17

Pouze pro země Evropy

Prohlášení ES o shodě

Společnost Makita prohlašuje, že následující zařízení:

Popis zařízení:

Víceúčelové nářadí

Č. modelu/typ: TM3010C

A vyhovuje následujícím evropským směrnicím:

2006/42/EC

Zařízení bylo vyrobeno v souladu s následující normou či normativními dokumenty:

EN60745

Technická dokumentace dle 2006/42/ES je k dispozici na adrese:

Makita, Jan-Baptist Vinkstraat 2, 3070, Belgie

31.12.2013



000331

Yasushi Fukaya

Ředitel

Makita, Jan-Baptist Vinkstraat 2, 3070, Belgie

GEA010-1

Obecná bezpečnostní upozornění k elektrickému nářadí

⚠ UPOZORNĚNÍ Přečtěte si všechna bezpečnostní upozornění a pokyny. Při nedodržení upozornění a pokynů může dojít k úrazu elektrickým proudem, požáru nebo vážnému zranění.

Všechna upozornění a pokyny si uschovejte pro budoucí potřebu.

GEB096-3

BEZPEČNOSTNÍ UPOZORNĚNÍ K VÍCEÚČELOVÉMU NÁŘADÍ

1. Toto elektrické nářadí je určeno k řezání, přirezávání, broušení a smirkování. Přečtěte si bezpečnostní upozornění i pokyny a prohlédněte si ilustrace a technické údaje dodané k nářadí. Nedodržení všech níže uvedených pokynů může vést k úrazu elektrickým proudem, požáru či vážnému zranění.

2. Při práci v místech, kde může dojít ke kontaktu řezacího příslušenství se skrytým elektrickým vedením nebo s vlastním napájecím kabelem, držte elektrické nářadí za izolované části držadel. Řezací příslušenství může při kontaktu s vodičem pod napětím přenést proud do nechráněných kovových částí nářadí a obsluha může utrpět úraz elektrickým proudem.
3. Uchytěte a podepřete díl na stabilní podložce pomocí svorek nebo jiným praktickým způsobem. Budete-li díl držet rukama nebo opřený o vlastní tělo, bude nestabilní a může způsobit ztrátu kontroly.
4. Napájecí kabel vedte mimo otáčející se příslušenství. Při ztrátě kontroly nad nástrojem může dojít k přefezání nebo zachycení kabelu a vtažení ruky či paže do otáčejícího se příslušenství.
5. Vždy používejte ochranné brýle. Běžné dioptrické brýle nebo sluneční brýle NEJSOU ochranné brýle.
6. Neřežejte hřebíky. Před zahájením provozu zkontrolujte, zda se v dílu nenacházejí hřebíky a případné hřebíky odstraňte.
7. Držte nástroj pevně .
8. Před zapnutím spínače se ujistěte, zda se aplikací nástroj nedotýká dílu.
9. Udržujte ruce mimo pohyblivé díly.
10. Nenechávejte nástroj běžet bez dozoru. Pracujte s ním, jen když jej držíte v rukou.
11. Před vytažením kotouče z dílu vždy nástroj vypněte a počkejte, dokud se kotouč úplně nezastaví.
12. Bezprostředně po vykonané operaci se nedotýkejte aplikačního nástroje ani zpracovávaného dílu – předměty mohou být velmi horké a mohli byste si popálit kůži.
13. Neprovodíte nástroj zbytečně bez zatížení.
14. Vždy používejte protiprachovou masku / respirátor odpovídající materiálu, se kterým pracujete.
15. Některé materiály obsahují chemikálie, které mohou být jedovaté. Dávejte pozor, abyste je nevděchovali nebo se jich nedotýkali. Přečtěte si bezpečnostní materiálové listy dodavatele.
16. Tento nástroj není vodotěsný. Proto na povrchu dílu nepoužívejte vodu.
17. Při broušení zajistěte odpovídající odvětrávání pracoviště.
18. Při používání tohoto nářadí ke smirkování některých ploch, například natřených olovnatými nátěry či vyrobených ze dřeva či kovu, mohou být uživatelé a přihlížející osoby vystaveni prachu obsahujícím nebezpečné látky. Používejte odpovídající respirátor.
19. Před použitím se přesvědčte, zda na se podložce nevyskytují trhliny či praskliny. Trhliny nebo praskliny mohou způsobit poranění.

20. **Nepoužívejte příslušenství, které není speciálně určeno pro nástroj a doporučeno jeho výrobcem.** Pouhá možnost upevnění příslušenství na elektrický nástroj nezaručuje jeho bezpečnou funkci.
21. **Používejte osobní ochranné prostředky. Podle typu prováděné práce používejte obličejový štít nebo ochranné brýle. Podle potřeby použijte ochranu sluchu, rukavice a pracovní zástěru, která je schopna zastavit malé kousky brusiva nebo části zpracovávaného dílu.** Ochrana zraku musí odolávat odletujícím materiálu vznikajícímu při různých činnostech. Protiprachová maska nebo respirátor musí filtrovat částice vznikající při prováděné práci. Dlouhodobé vystavení hluku vysoké intenzity může způsobit ztrátu sluchu.
22. **Zajistěte, aby okolostojící osoby dodržovaly bezpečnou vzdálenost od místa provádění práce. Všechny osoby vstupující na pracoviště musí používat osobní ochranné prostředky.** Úlomky dílu nebo roztrženého příslušenství mohou odletovat a způsobit zranění i ve větší vzdálenosti od pracoviště.
23. **Elektrický nástroj nikdy nepokládejte před tím, než příslušenství dosáhne úplného klidu.** Otáčející se příslušenství se může zachytit o povrch a způsobit ztrátu kontroly nad elektrickým nástrojem.
24. **Nářadí nikdy neuvádějte do chodu, pokud jej přenášíte v ruce po boku.** Náhodný kontakt s příslušenstvím může vést k zachycení oděvu a přitažení příslušenství k tělu.
25. **Neprovozujte elektrický nástroj v blízkosti hořlavých materiálů.** Odletující jiskry by mohly tyto materiály zapálit.
26. **Nepoužívejte příslušenství vyžadující použití chladících kapalin.** Použití vody nebo jiné chladicí kapaliny může vést k úmrtí nebo úrazu elektrickým proudem.
27. **Než začnete na nástroji provádět jakékoliv práce, vždy se předtím přesvědčte, že je vypnutý a odpojený od zdroje napájení.**
28. **Pokud se na pracovišti vyskytují velice vysoké teploty či vlhkost nebo je pracoviště znečištěno vodivým prachem, použijte k zajištění bezpečnosti obsluhy zkratový jistič (30 mA).**
29. **Vždy zaujměte stabilní postoj. Při práci s nástrojem ve výškách dbejte, aby se pod nástrojem nepohybovaly žádné osoby.**

TYTO POKYNY USCHOVEJTE.

⚠VAROVÁNÍ:

NEDOVOLTE, aby pohodlnost nebo pocit znalosti výrobku (získaný na základě opakovaného používání) vedly k zanedbání dodržování bezpečnostních pravidel platných pro tento výrobek. NESPRÁVNÉ POUŽÍVÁNÍ nebo nedodržení bezpečnostních pravidel uvedených v tomto návodu k obsluze může způsobit vážné zranění.

POPIS FUNKCE

⚠VAROVÁNÍ:

- **Před nastavováním či kontrolou funkce se vždy ujistěte, zda je nářadí vypnuté a odpojené ze zásuvky.** Zanedbání vypnutí a odpojení nářadí může vést k vážným zraněním způsobeným náhodným spuštěním.

Zapínání

Fig.1

⚠POZOR:

- Před připojením nástroje k elektrické síti vždy zkontrolujte, zda je nástroj vypnutý.

Nářadí se spouští přesunutím posuvného spínače do polohy „I (ZAP).“

Chcete-li nářadí vypnout, přesuňte posuvný spínač do polohy „O (VYP).“

Nastavení rychlosti kmitání

Fig.2

Rychlost kmitání je nastavitelná. Změnu rychlosti kmitání nastavíte otáčením kolečka mezi polohami 1 a 5. Čím vyšší číslo, tím vyšší rychlost kmitání. Otočné kolečko nastavte na vhodnou hodnotu odpovídající vykonávané práci.

POZNÁMKA:

- Kolečkem nelze otočit rovnou z polohy 1 do polohy 5 ani z polohy 5 do polohy 1. Násilným otočením můžete nářadí poškodit. Při změně směru otáčení pohybujte otočným kolečkem vždy přes mezilehlé polohy.

Nastavení konstantní rychlosti

Elektronický regulátor otáček k dosažení konstantních otáček. Díky této funkci získáte kvalitní povrch, neboť rychlost kmitání má konstantní hodnotu i při zatížení.

MONTÁŽ

⚠POZOR:

- Než začnete na nástroji provádět jakékoliv práce, vždy se předtím přesvědčte, že je vypnutý a vytažený ze zásuvky.

Nasazení a sejmutí aplikačního nástroje (volitelné příslušenství)

⚠VAROVÁNÍ:

- Aplikační nástroj nemontujte vzhůru nohama. Namontováním aplikačního nástroje vzhůru nohama můžete způsobit poškození nářadí a vážné zranění.
- Nástroj příslušenství namontujte do správného směru podle vykonávané práce. Aplikační nástroj lze namontovat v libovolném úhlu po 30 stupňových krocích.

⚠POZOR:

- Při zavírání zajišťovací páčky si počínejte opatrně. Zajišťovací páčka se může náhle zavřít a můžete si přiskřípnout prst.
- Pohyblivou část zajišťovací páčky občas očistěte od prachu a promažte. Jinak se na pohyblivé části zajišťovací páčky usadí prach, jenž může bránit jejímu plynulému pohybu.
- Nářadí s otevřenou páčkou nespouštějte. Mohlo by dojít k poškození nářadí.

Fig.3

1. Zajišťovací páčku zcela otevřete. Potom vyjměte přídržný šroub.

Fig.4

2. Na nástrojovou přírubu umístěte aplikační nástroj (volitelné příslušenství) tak, aby výstupky nástrojové příruby zapadly do otvorů aplikačního nástroje.

Fig.5

3. Přídržný šroub zasuňte až na doraz. Potom vratte zajišťovací páčku do původní polohy.

Při použití smirkovacího aplikačního nástroje namontujte aplikační nástroj na přítlačnou botku tak, aby odpovídal směru přítlačné botky.

Přítlačná botka se upevňuje suchým zipem, jenž umožňuje snadné a rychlé nasazení brusného papíru.

Brusné papíry mají otvory k odvádění prachu – brusné papíry nasazujte tak, aby jejich otvory odpovídaly pozici otvorů přítlačné botky.

Jestliže chcete brusný papír sejmout, přizvedněte jej na konci a odloupněte.

Při demontáži přídržného šroubu použijte opačný postup montáže.

Fig.6

Při použití aplikačních nástrojů s odlišným typem instalační části použijte správný adaptér (volitelné příslušenství).

PRÁCE

⚠VAROVÁNÍ:

- Před spuštěním nářadí a při jeho používání nepřibližujte k aplikačnímu nástroji ruce a obličej.

⚠POZOR:

- Zařízení vždy pevně držte s jednou rukou na krytu. Nedotýkejte se kovových částí.
- Na nářadí nevyvíjejte přílišnou sílu, aby nedošlo k zablokování motoru a zastavení nářadí.

Řezání, přirezávání a škrabání

⚠POZOR:

- Nářadí nevedte a nesměrujte násilně (na žádnou stranu) žádným ostřím. Mohlo by dojít k poškození nářadí.

Fig.7

Aplikační nástroj přiložte k obrobku.

Potom nářadí vedte vpřed tak, aby nedocházelo ke zpomalování pohybu aplikačního nástroje.

POZNÁMKA:

- Násilné vedení či přílišný tlak na nářadí mohou omezit jeho účinnost.
- Přiměřeným protahováním nářadí odstraňujete piliny. Zvýšíte tím pracovní efektivnost.
- Před řezáním doporučujeme nastavit rychlost kmitání na hodnotu 3–5.
- K provádění dlouhých přímých řezů doporučujeme použít zakulacenou pilu.

Smirkování

⚠POZOR:

- Brusný papír použitý ke smirkování kovu nepoužívejte znovu ke smirkování dřeva.
- Nepoužívejte opotřeбенý brusný papír ani brusný papír bez zrn.

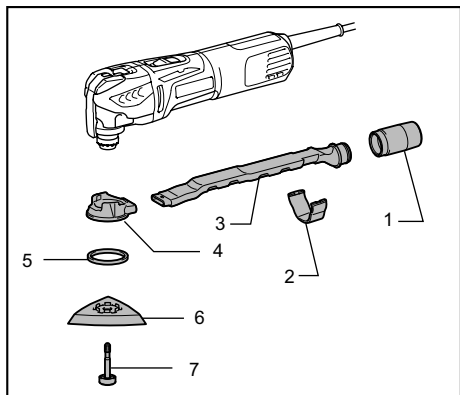
Fig.8

Brusný papír přiložte k obrobku.

POZNÁMKA:

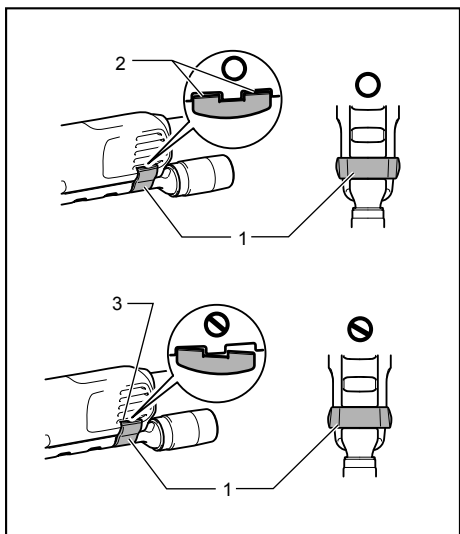
- Na kousku zkušebnímu materiálu doporučujeme ověřit správné nastavení rychlosti kmitání, jež bude pro danou práci vhodné.
- Použijte brusný papír stejného zrna a dokončete práci na celém obrobku. Při použití smirkovacího papíru jiného zrna nemusíte docílit kvalitního povrchu.

Nástavec k odsávání prachu (volitelné příslušenství)



1. Spojka
2. Přichytka hubice
3. Prachová hubice
4. Odsávací nástavec
5. Plstěný kroužek
6. Podložka
7. Přidržený šroub

013858



1. Přichytka hubice
2. Výstupky
3. Otvory

013052

- Namontujte spojku, prachovou hubici a odsávací nástavec.
- Na nářadí namontujte přichytka hubice tak, aby se zapadnutím výstupků do otvorů v nářadí zajistila.

- Na odsávací nástavec nasadte plstěný kroužek s přítlačnou botkou a zajistěte je montážním šroubem aplikačního nástroje.

Fig.9

K zajištění čistšího provozu připojte k nářadí vysavač. K nástavci na odsávání prachu připojte hadici vysavače (volitelné příslušenství).

ÚDRŽBA

⚠POZOR:

- Než začnete provádět kontrolu nebo údržbu nástroje, vždy se přesvědčte, že je vypnutý a vytažený ze zásuvky.
- Nikdy nepoužívejte benzín, benzen, ředidlo, alkohol či podobné prostředky. Mohlo by tak dojít ke změnám barvy, deformacím či vzniku prasklin.

Kvůli zachování **BEZPEČNOSTI** a **SPOLEHLIVOSTI** výrobku musí být opravy, kontrola a výměna uhlíků a veškerá další údržba či seřizování prováděny autorizovanými servisními středisky firmy Makita a s použitím náhradních dílů Makita.

VOLITELNÉ PŘÍSLUŠENSTVÍ

⚠POZOR:

- Pro váš nástroj Makita, popsany v tomto návodu, doporučujeme používat toto příslušenství a nástavce. Při použití jiného příslušenství či nástavců může hrozit nebezpečí zranění osob. Příslušenství a nástavce lze používat pouze pro jejich stanovené účely.

Potřebujete-li bližší informace ohledně tohoto příslušenství, obraťte se na vaše místní servisní středisko firmy Makita.

- Segmentový pilový kotouč
- Pilový kotouč
- Zapichovací pilový kotouč
- Škrabák (tuhý)
- Škrabák (flexibilní)
- Zubový segmentový kotouč
- Běžná fréza na drážky
- Řezací nástroj ze slinutých karbidů
- Segmentový pilový kotouč ze slinutých karbidů
- Brusná deska ze slinutých karbidů
- Diamantový segmentový pilový kotouč
- Přítlačná botka
- Adaptér
- Brusný papír delta (červený / bílý / černý)
- Brusné rouno delta (střední / hrubé / bez zrn)
- Leštící plst delta
- Imbusový klíč
- Nástavec k odsávání prachu

POZNÁMKA:

- Některé položky seznamu mohou být k zařízení přibaleny jako standardní příslušenství. Přibalené příslušenství se může v různých zemích lišit.

Makita Jan-Baptist Vinkstraat 2, 3070, Belgium
Makita Corporation Anjo, Aichi, Japan